

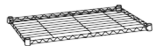



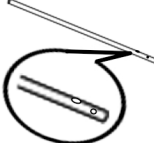
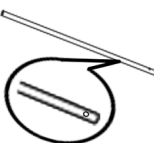








ORGANIZE IT ALL.

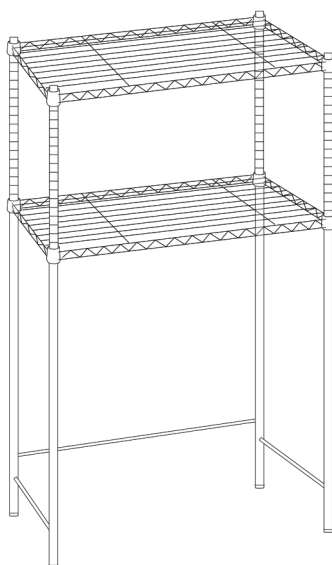
PLEASE READ INSTRUCTIONS COMPLETELY BEFORE ASSEMBLY

For assistance or missing parts in the USA, please email **customerservice@kennedy-intl.com** or call **Monday thru Friday (732) 654-2770**
All international (outside USA) customers who have missing, defective or damaged parts must contact the retailer directly to make an exchange or return for refund. All other customer service product and/or questions may be directed to us (in English).

Style: NH-34901W1P

#	①	②	③	④	⑤	⑥
PARTS					lower back uprights 	lower front uprights 
QTY	2	1	2	4	2	2

#	Ⓐ	Ⓑ	Ⓒ	Ⓓ	Ⓔ	Ⓕ
PARTS						
QTY	8	6	4	4	4	1

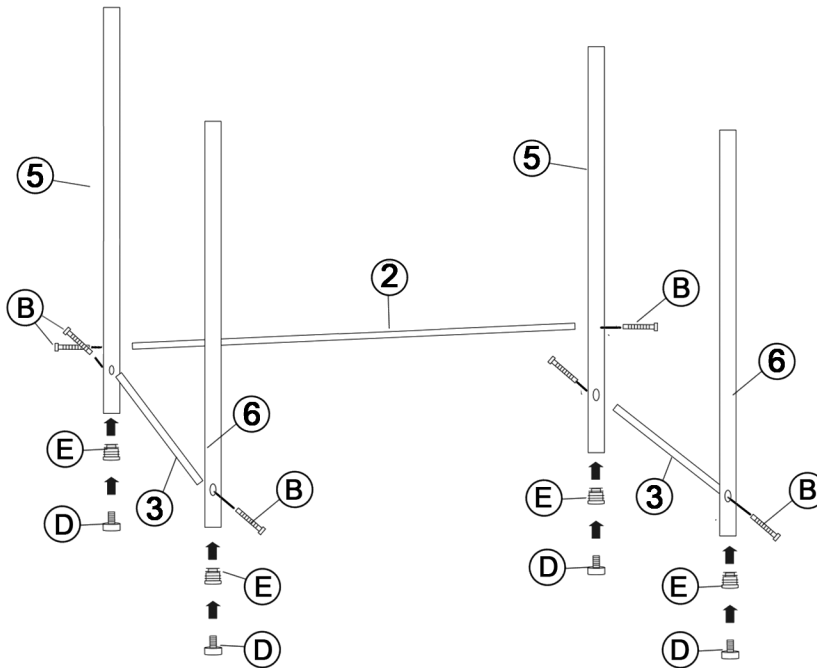


PLEASE NOTE:

We will accept missing parts request with proof of purchase only, within 30 days of purchase.
All return merchandise must be returned directly to the store and not the manufacturer with the proof of purchase.

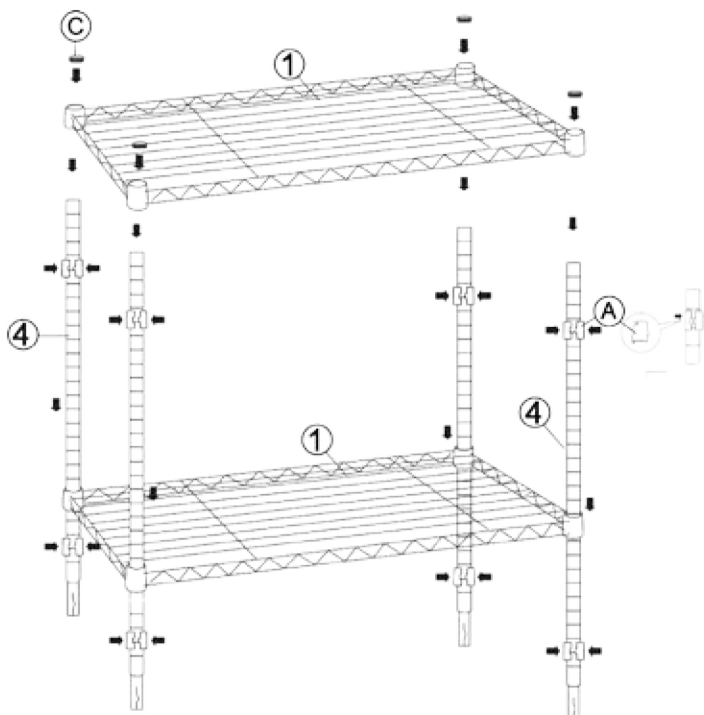
Step 1

- Insert part E into part# 6 and part# 5 (lower back uprights)
- Insert part D into part E
- Screw part# 2 between part# 5 (lower back uprights)
- Screw part# 3 between part# 5 and part# 6 (lower front uprights)

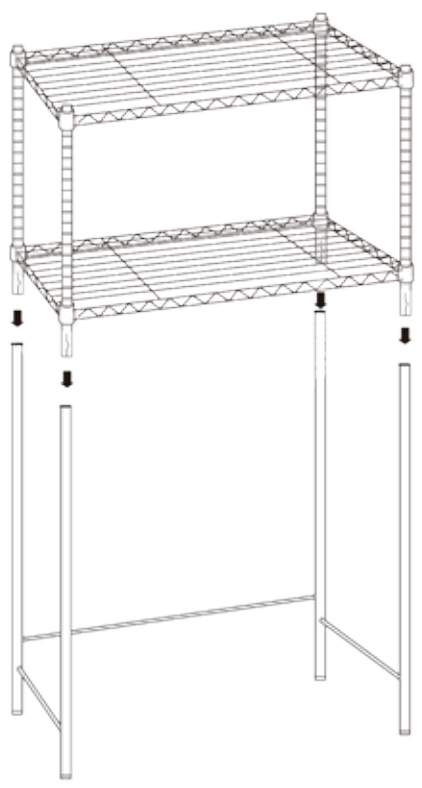


Step 2

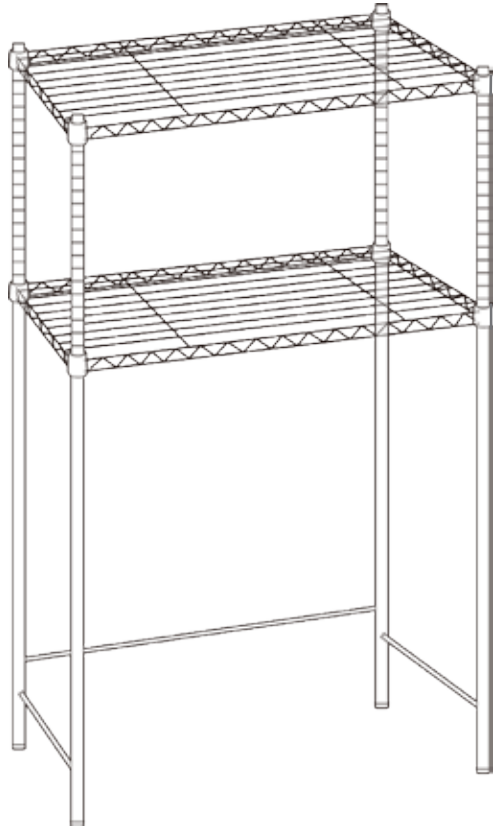
- Attach part A onto Part 4.
- Attach part# 1 and part# 4 together and let part# 1 sit on part A.
- Insert part C into top of part# 4.
- Make sure to attach part A with arrow facing up.



Step 3 Attach step 1 and step 2 together.



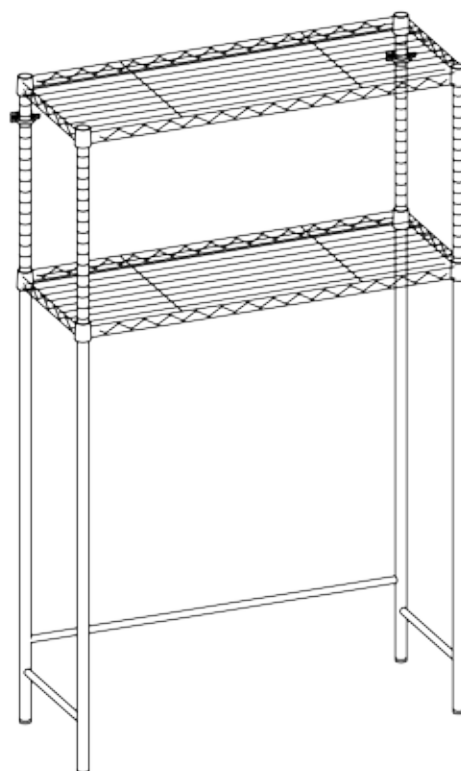
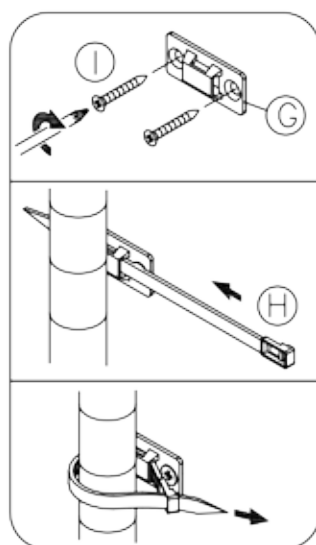
Step 4 The assembly is now complete.






ANCHOR THE UNIT TO THE WALL

Screw part G on to wall

Insert part H through part G and then tie the product as shown below



#	ⓐ
PARTS	
QTY	2
#	ⓑ
PARTS	
QTY	2
#	ⓒ
PARTS	
QTY	4