

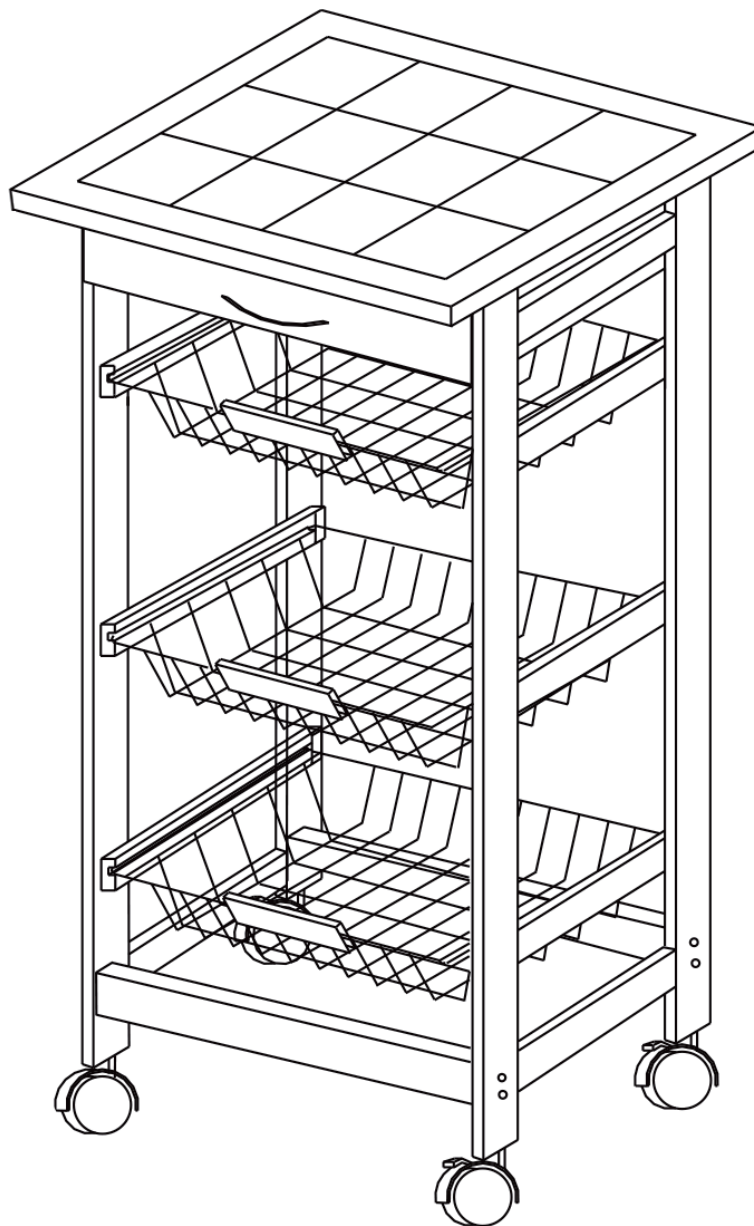


ORGANIZE IT ALL.

PLEASE READ INSTRUCTIONS COMPLETELY BEFORE ASSEMBLY

For assistance or missing parts in the USA, please email **customerservice@kennedy-intl.com** or call **Monday thru Friday (732) 654-2770**. All international (outside USA) customers who have missing, defective or damaged parts must contact the retailer directly to make an exchange or return for refund. All other customer service product and/or questions may be directed to us (in English).

Style: NH- 34123W-1

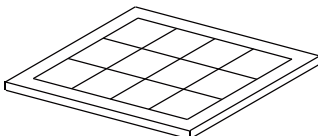
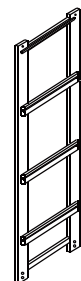
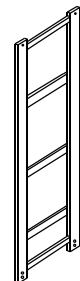
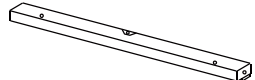
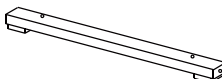
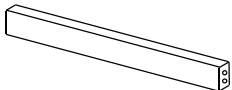

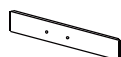
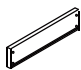

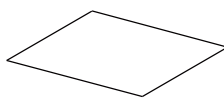
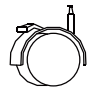
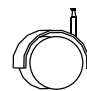




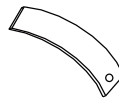
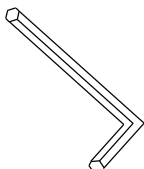


PLEASE NOTE:

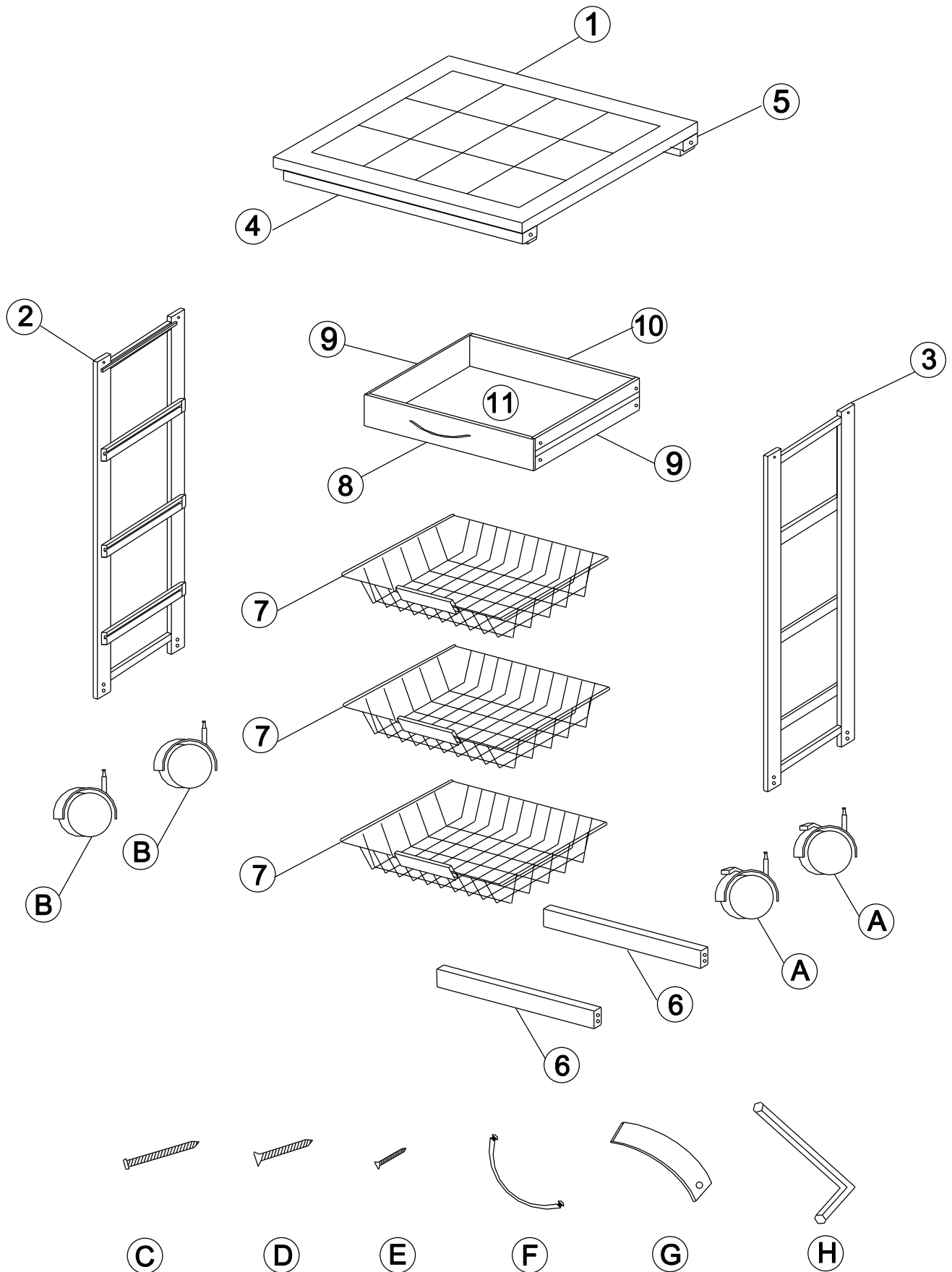
We will accept missing parts request with proof of purchase only, within 30 days of purchase.

All return merchandise must be returned directly to the store and not the manufacturer with the proof of purchase.

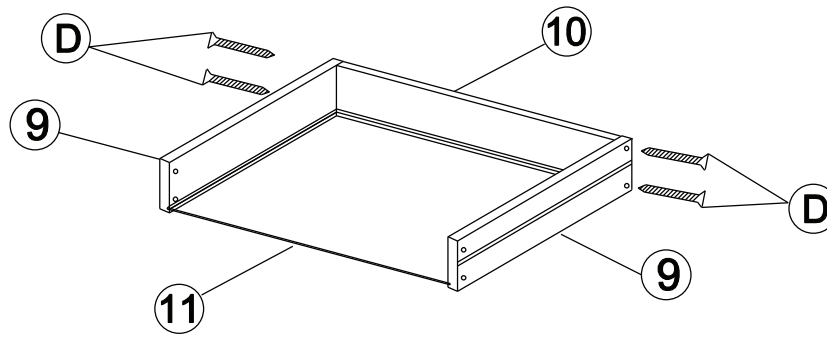
PART LIST/ LISTA DE PARTES/ LISTE DES PIÈCES

#	①		②		③		④	
PARTS								
QTY	1		1		1		1	
#	⑤		⑥		⑦		⑧	
PARTS								
QTY	1		2		3		1	
#	⑨		⑩		⑪			
PARTS								
QTY	2		1		1			
#	Ⓐ	Ⓑ	Ⓒ	Ⓓ	Ⓔ	Ⓕ	Ⓖ	Ⓗ
PARTS								
QTY	2	2	12	8	1	1	1	1

Please note: Part#4,5 has already been assembled on to part#1.
Por favor, tenga en cuenta: Parte #4,5 se ha unido a la parte #1.
Merci de noter : La pièce no.#4,5 a été attachée à la pièce no.#1.

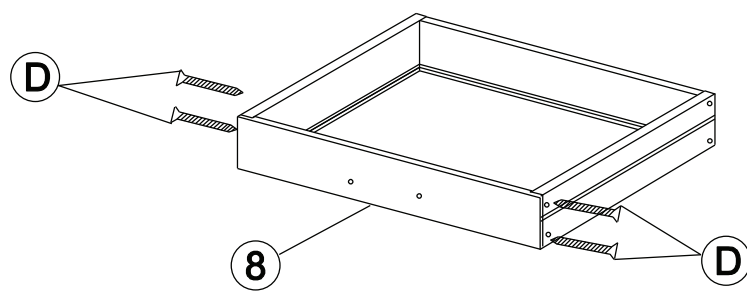


STEP:1



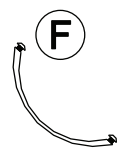
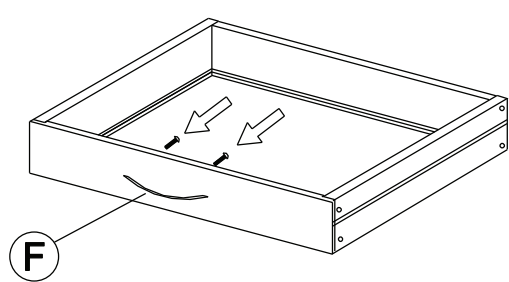
QTY **4**
Cantidad
Quantité

STEP:2



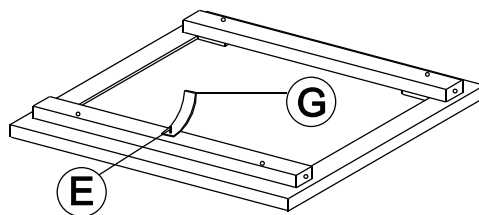
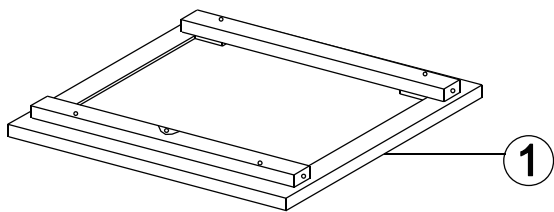
QTY **4**
Cantidad
Quantité

STEP:3



QTY **1**
Cantidad
Quantité

STEP:4

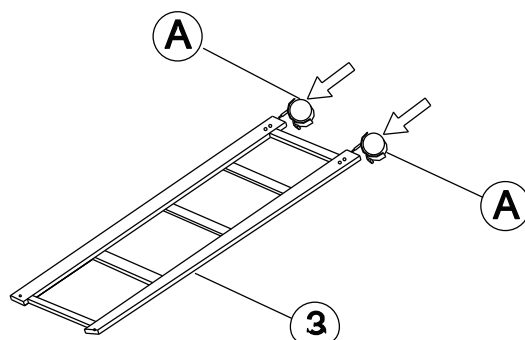
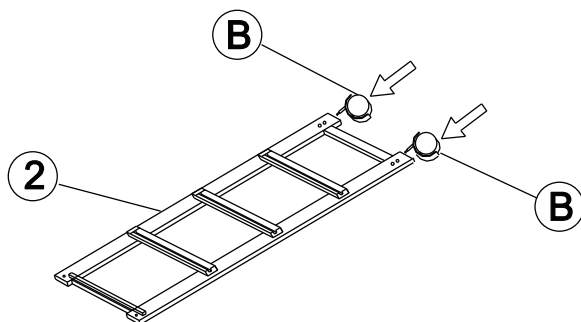


QTY 1
Cantidad
Quantité



QTY 1
Cantidad
Quantité

STEP:5

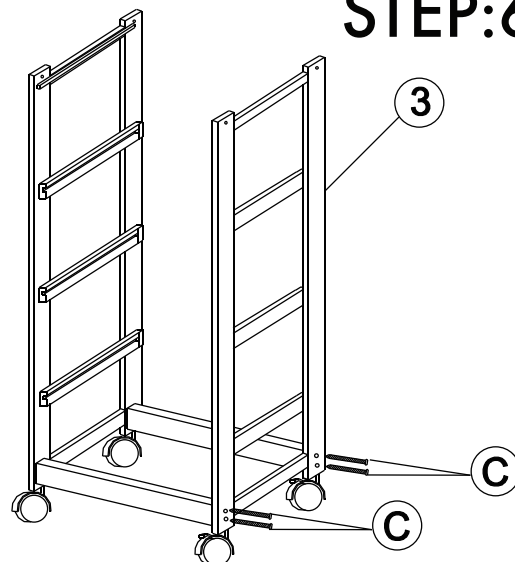
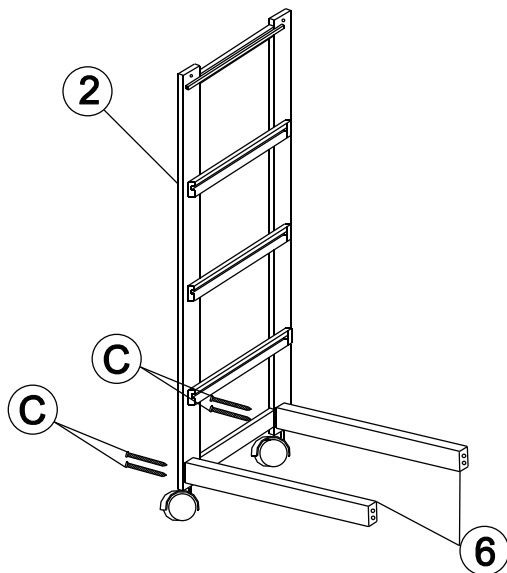


QTY 2
Cantidad
Quantité

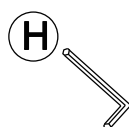


QTY 2
Cantidad
Quantité

STEP:6

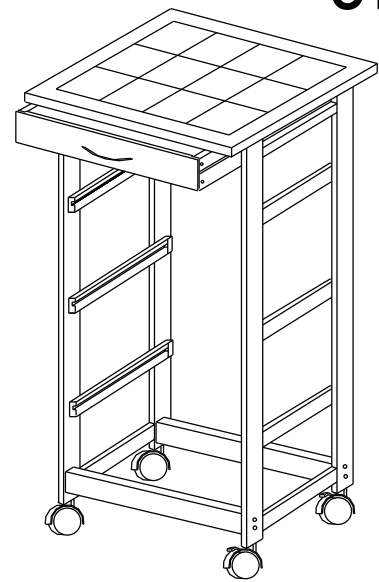
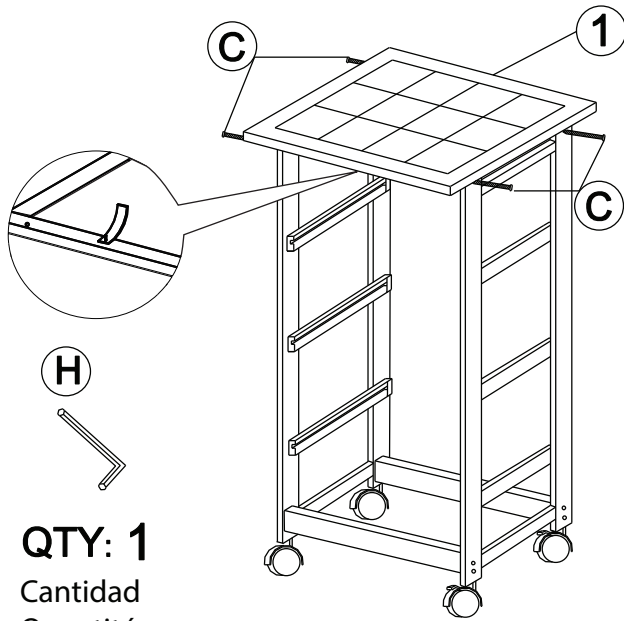


QTY 8
Cantidad
Quantité



QTY 1
Cantidad
Quantité

STEP:7



C

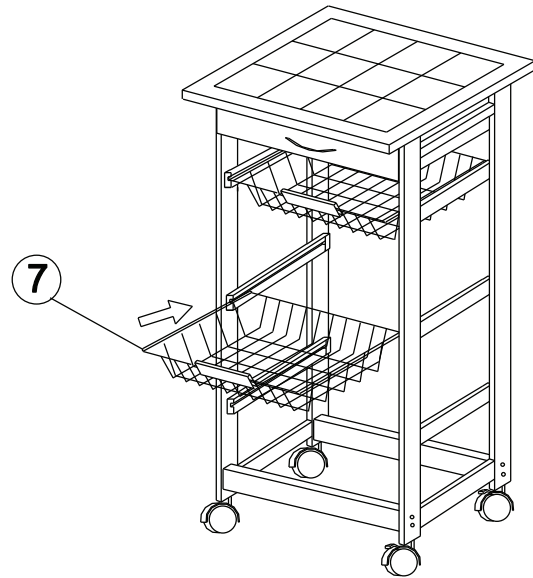
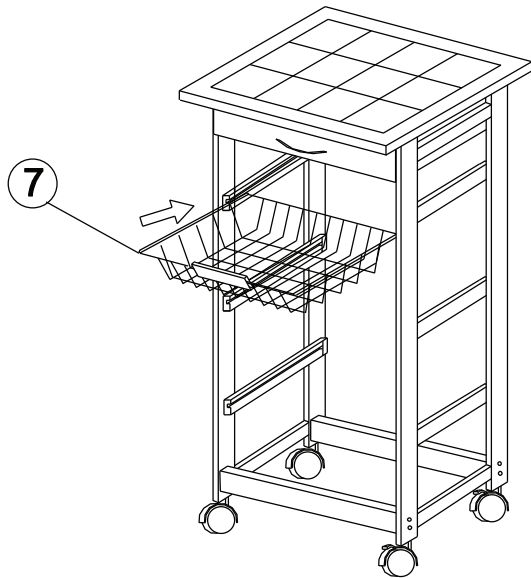
H



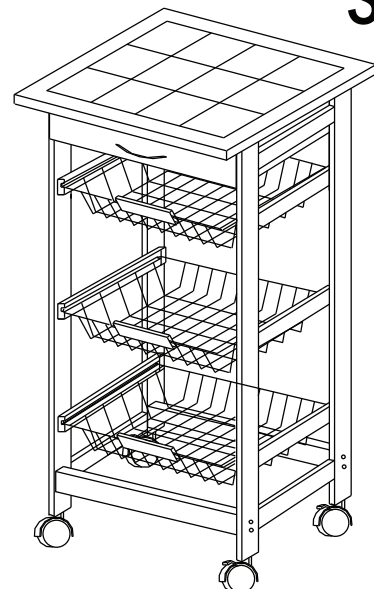
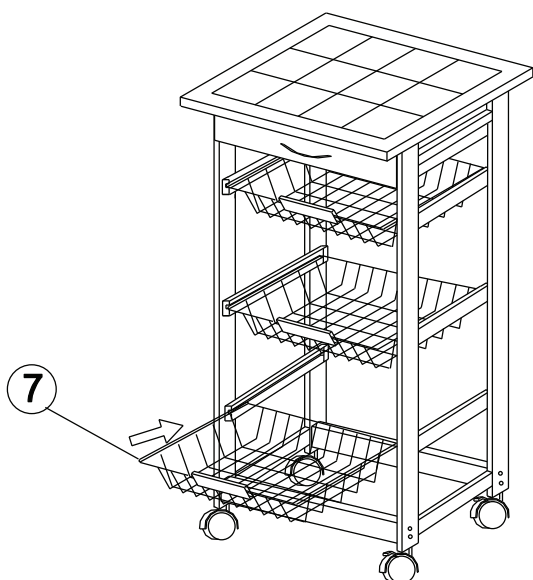
QTY: 4
Cantidad
Quantité

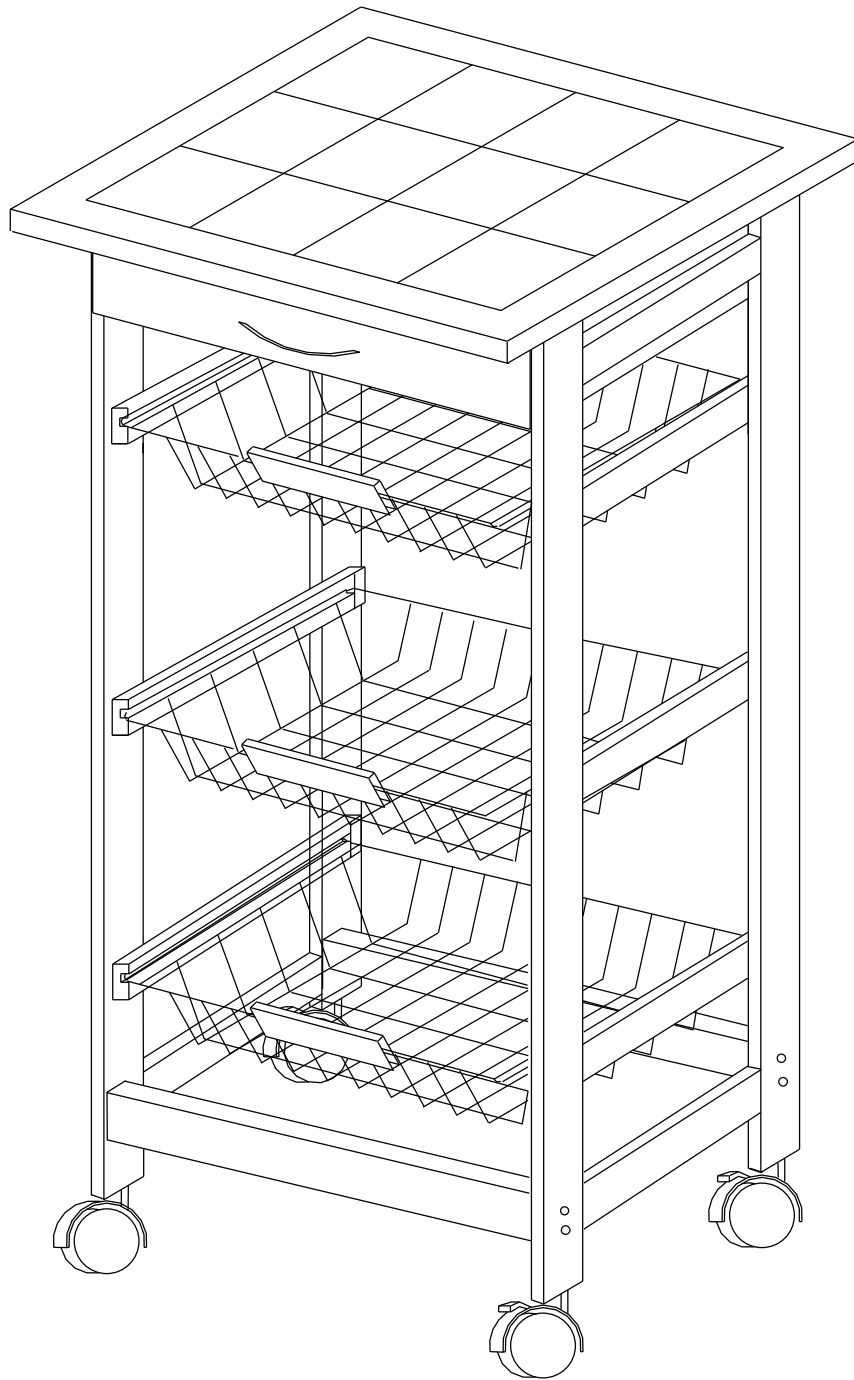
QTY: 1
Cantidad
Quantité

STEP:8



STEP:9





ASSEMBLED

UNIT FOR REFERENCE

UNIDAD MONTADA PARA REFERENCIA

UNITÉ ASSEMBLÉE POUR RÉFÉRENCE