






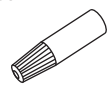

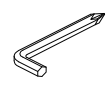

ORGANIZE IT ALL.

PLEASE READ INSTRUCTIONS COMPLETELY BEFORE ASSEMBLY

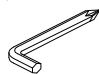

For assistance or missing parts in the USA, please email customerservice@kennedy-intl.com or call Monday thru Friday (732) 654-2770. All international (outside USA) customers who have missing, defective or damaged parts must contact the retailer directly to make an exchange or return for refund. All other customer service product and/or questions may be directed to us (in English).

Style: NH-29973W1P

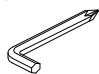

Components

	Screw ax14
	Floor Protector bx4
	Wood Cap cx12
	Glue
	Wall Screw Set dx1
	Tool
	Wall Strap ex1

Step 1 Attach parts 1 & 2 with screws(a).

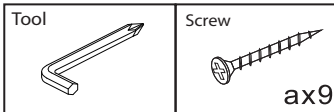
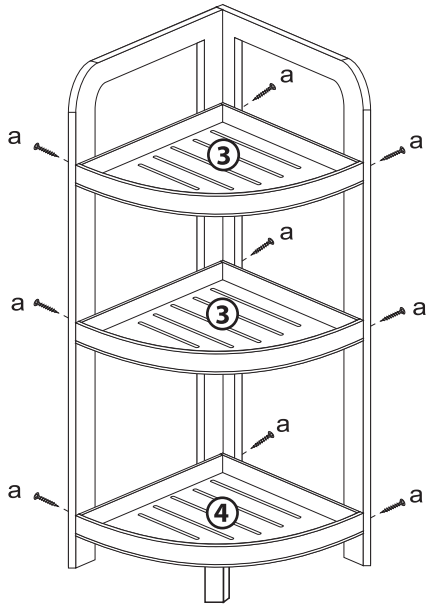
	Tool
	Screw ax3

Step 2 Attach parts 4 & 5 with screws(a).

	Tool
	Screw ax2

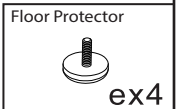
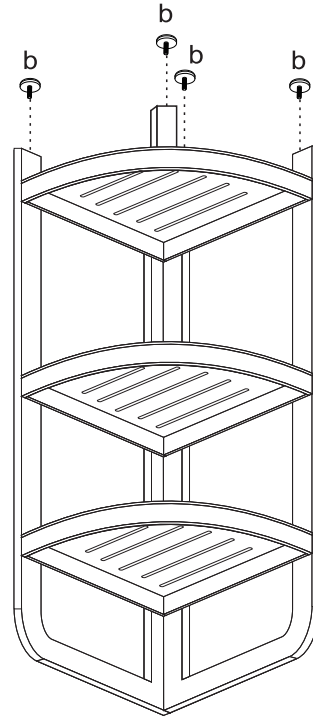
Step 3

Attach parts 3 & 4 to the construction of parts 1 & 2 with screws(b). Keep part 3 & 4 oriented flat side down when attaching it to the construction of parts 1 & 2.



Step 4

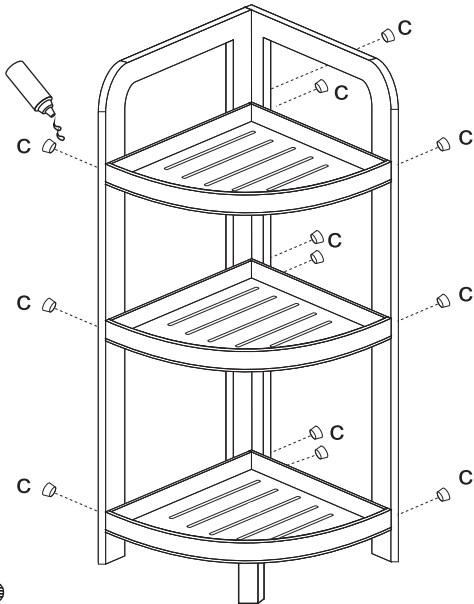
Attach floor protectors (b) to the feet of the construction.



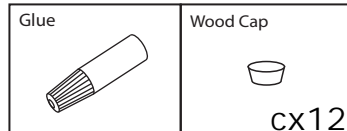
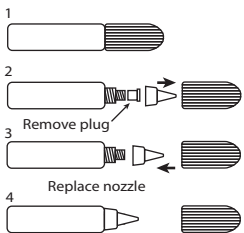
Step 5

*Optional

Add a drop of glue to the flat end of the wood caps (c). Then, insert wood caps (c) into screw holes.



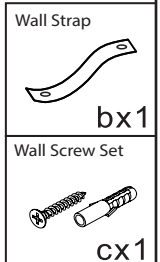
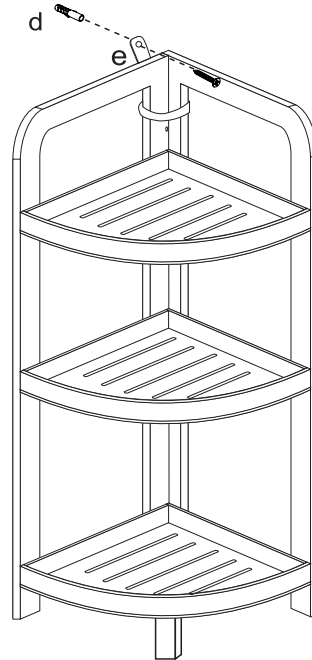
How to open glue:



Step 6

*Optional

Attach Wall strap (e) to the rear inside of the construction. Install wall screw set(d) through the Wall strap (e) into the wall. Pre-drill hole into wall to fit wall screw set (d).



PLEASE NOTE:

We will accept missing parts request with proof of purchase only, within 30 days of purchase.

All return merchandise must be returned directly to the store and not the manufacturer with the proof of purchase.