









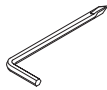



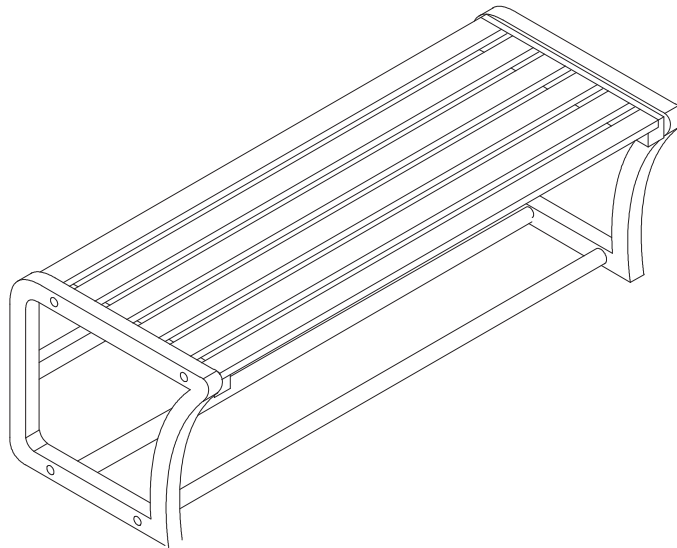
ORGANIZE IT ALL.

**PLEASE READ INSTRUCTIONS COMPLETELY BEFORE ASSEMBLY**

For assistance or missing parts in the USA, please email [customerservice@kennedy-intl.com](mailto:customerservice@kennedy-intl.com) or call **Monday thru Friday (732) 654-2770**  
All international (outside USA) customers who have missing, defective or damaged parts must contact the retailer directly to make an exchange or return for refund. All other customer service product and/or questions may be directed to us (in English).

**Style: NH-29947W**

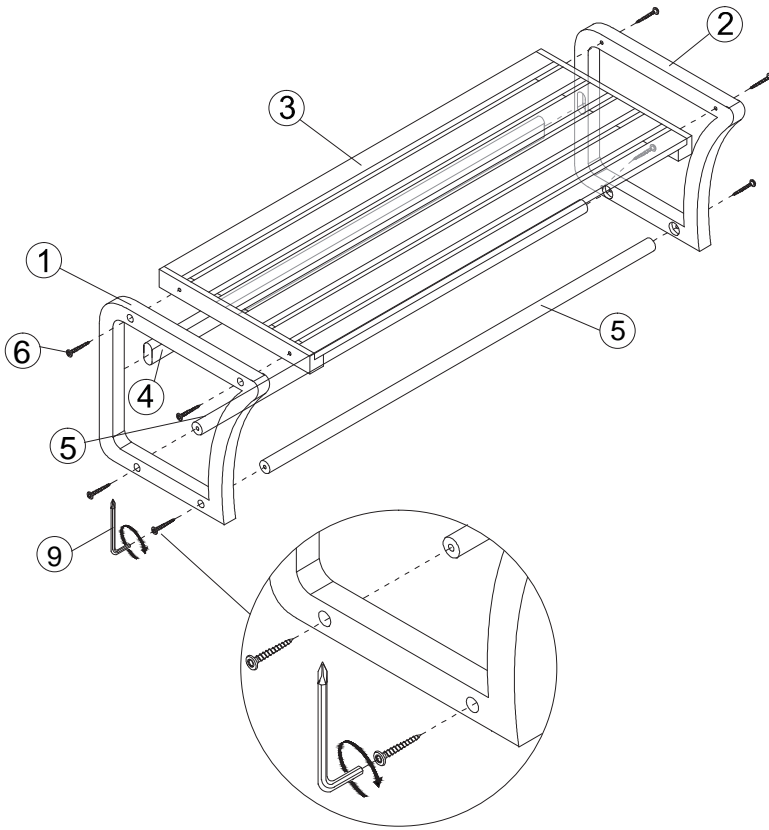
#	①	②	③	④	⑤	⑥	⑦	⑧	⑨	⑩
PARTS										
QTY	1	1	1	1	2	8	2	2	1	1



**PLEASE NOTE:**

We will accept missing parts request with proof of purchase only, within 30 days of purchase.  
All return merchandise must be returned directly to the store and not the manufacturer with the proof of purchase.

# A



Please Note:

To pre-drill holes with a 3/16" drill bit before  
Installing wall anchors (Part #9) into the wall.

Please look for the paper Mounting Template as guideline.

# B

