



ORGANIZE IT ALL.

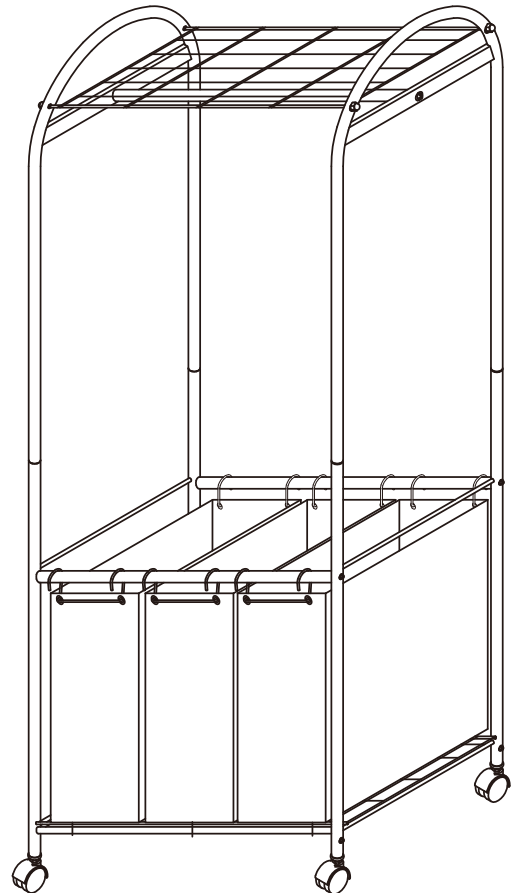
PLEASE READ INSTRUCTIONS COMPLETELY BEFORE ASSEMBLY

For assistance or missing parts in the USA, please email **customerservice@kennedy-intl.com** or call **Monday thru Friday (732) 654-2770**
All international (outside USA) customers who have missing, defective or damaged parts must contact the retailer directly to make an exchange or return for refund. All other customer service product and/or questions may be directed to us (in English).

Style: NH-1777-1P

#	①	②	③	④	⑤	⑥	⑦	⑧
PARTS								
QTY	2	2	1	2	2	1	1	3
#	⑨	⑩	⑪	⑫				
PARTS								
QTY	6	4	4	10				

Weight Capacity: 22lb/10kgs top shelf
36.3lb/16.5kgs hanging bar
8.8lb/4kgs laundry bag
88lb/40kgs per unit

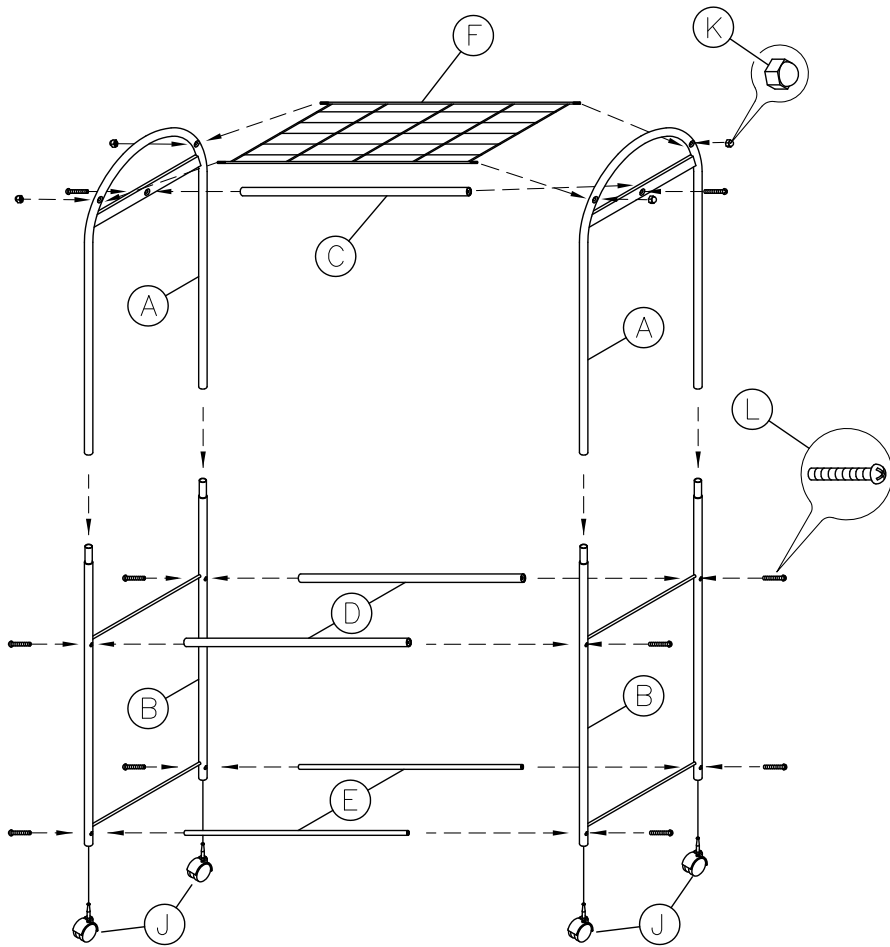


PLEASE NOTE:

We will accept missing parts request with proof of purchase only, within 30 days of purchase.
All return merchandise must be returned directly to the store and not the manufacturer with the proof of purchase.

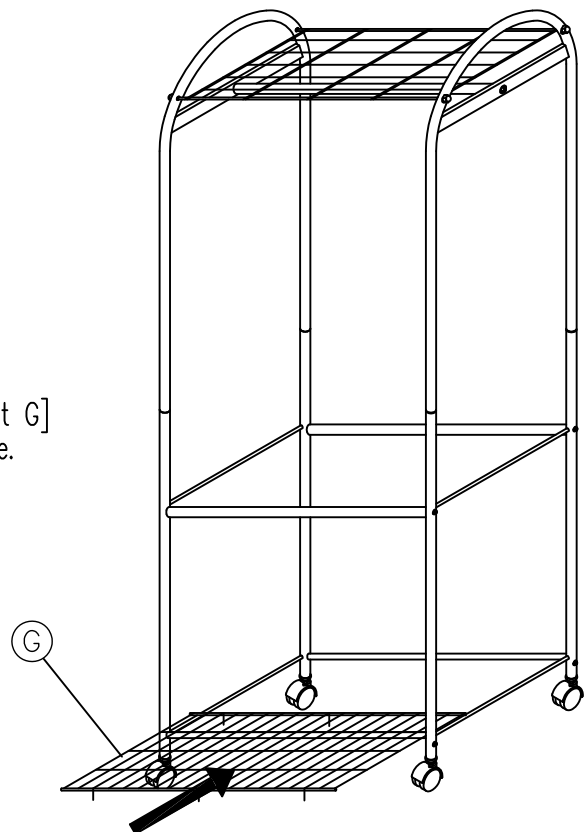
A

Following the diagram carefully, assemble the frame of the laundry sorter.

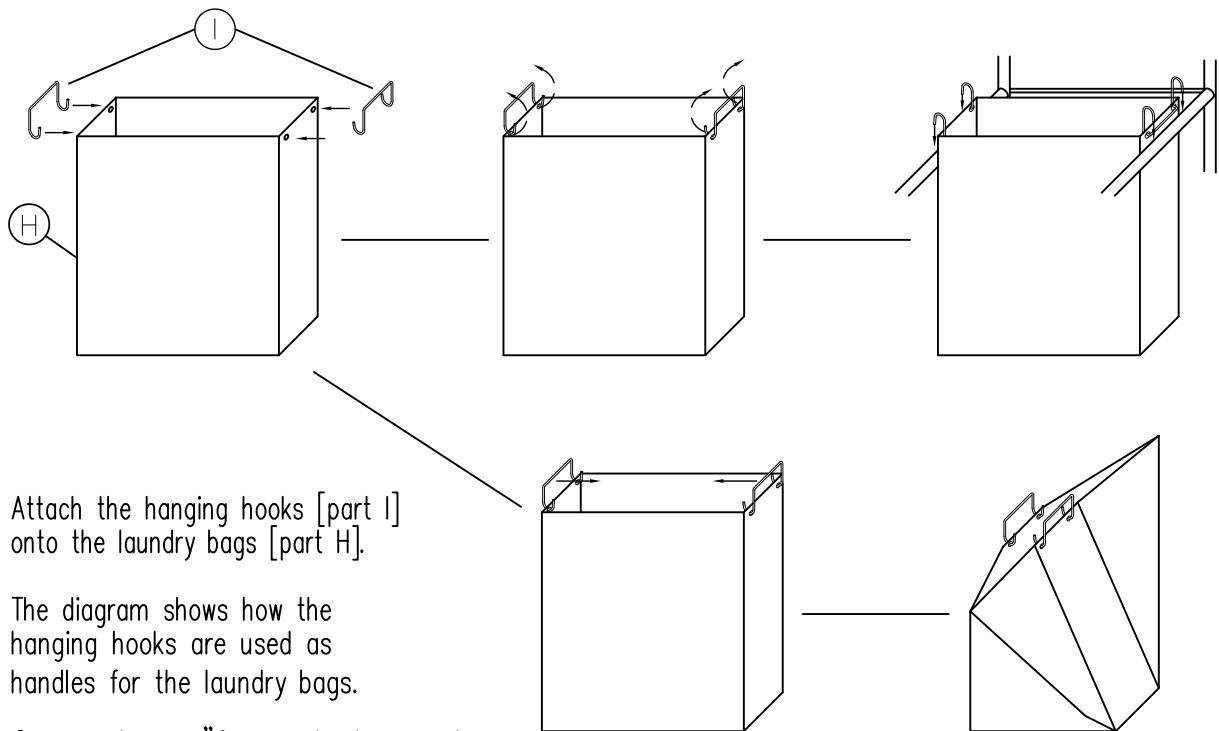


B

Place the bottom shelf [part G] onto the bottom of the frame.



C



Attach the hanging hooks [part I] onto the laundry bags [part H].

The diagram shows how the hanging hooks are used as handles for the laundry bags.

Canvas bags—"for spot clean only, do not machine wash."

D

Place the laundry bags onto the frame as shown.

Your laundry sorter is now complete.

