

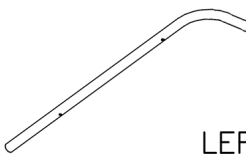
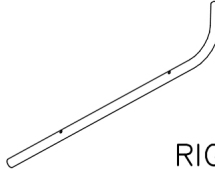
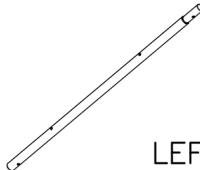
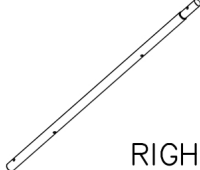
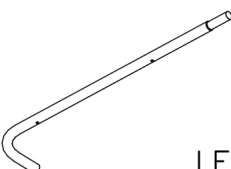

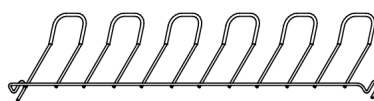



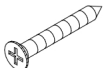




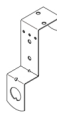
ORGANIZE IT ALL.

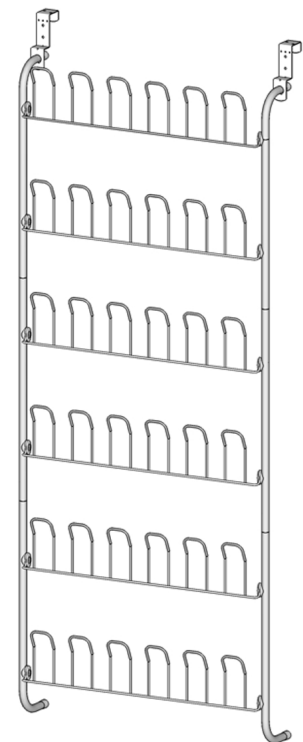
**PLEASE READ INSTRUCTIONS COMPLETELY BEFORE ASSEMBLY**

For assistance or missing parts in the USA, please email [customerservice@kennedy-intl.com](mailto:customerservice@kennedy-intl.com) or call **Monday thru Friday (732) 654-2770**  
 All international (outside USA) customers who have missing, defective or damaged parts must contact the retailer directly to make an exchange or return for refund. All other customer service product and/or questions may be directed to us (in English).

**Style: NH-17701W**

#	①	②	③	④
<b>PARTS</b>	 LEFT	 RIGHT	 LEFT	 RIGHT
<b>QTY</b>	1	1	1	1
#	⑤	⑥	⑦	
<b>PARTS</b>	 LEFT	 RIGHT		
<b>QTY</b>	1	1	6	

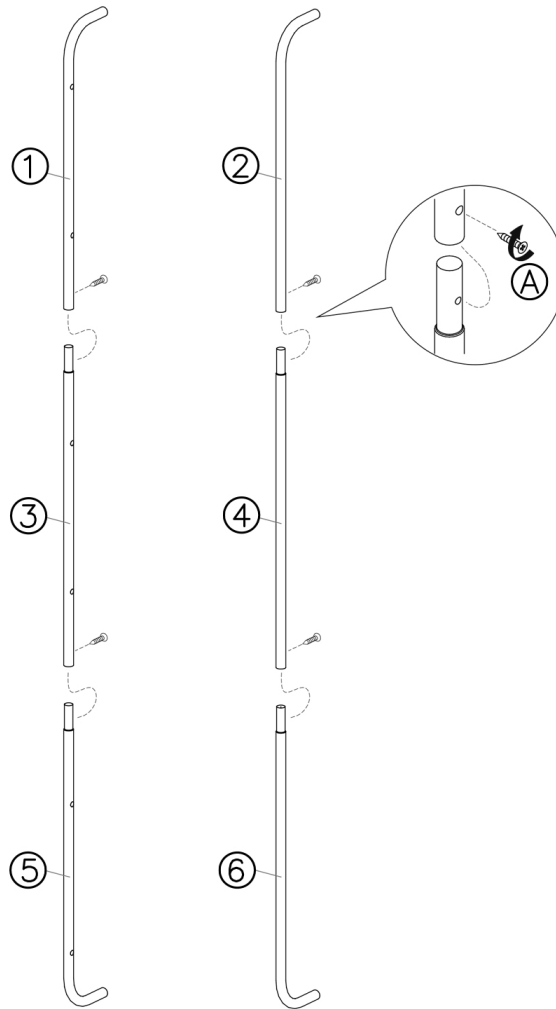
#	Ⓐ	Ⓑ	Ⓒ
<b>PARTS</b>			
<b>QTY</b>	16	4	4
#	Ⓓ	Ⓔ	
<b>PARTS</b>			
<b>QTY</b>	12	12	
#	Ⓕ	Ⓖ	
<b>PARTS</b>			
<b>QTY</b>	4	2	



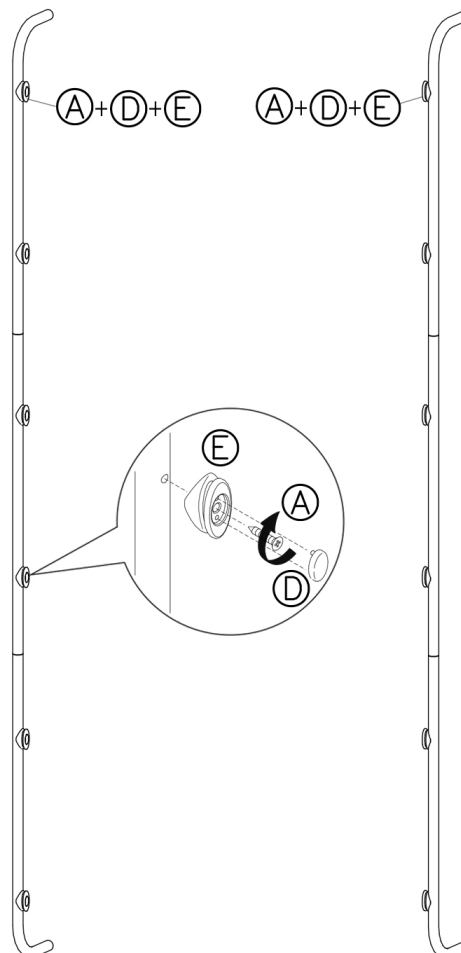
**PLEASE NOTE:**

We will accept missing parts request with proof of purchase only, within 30 days of purchase.  
 All return merchandise must be returned directly to the store and not the manufacturer with the proof of purchase.

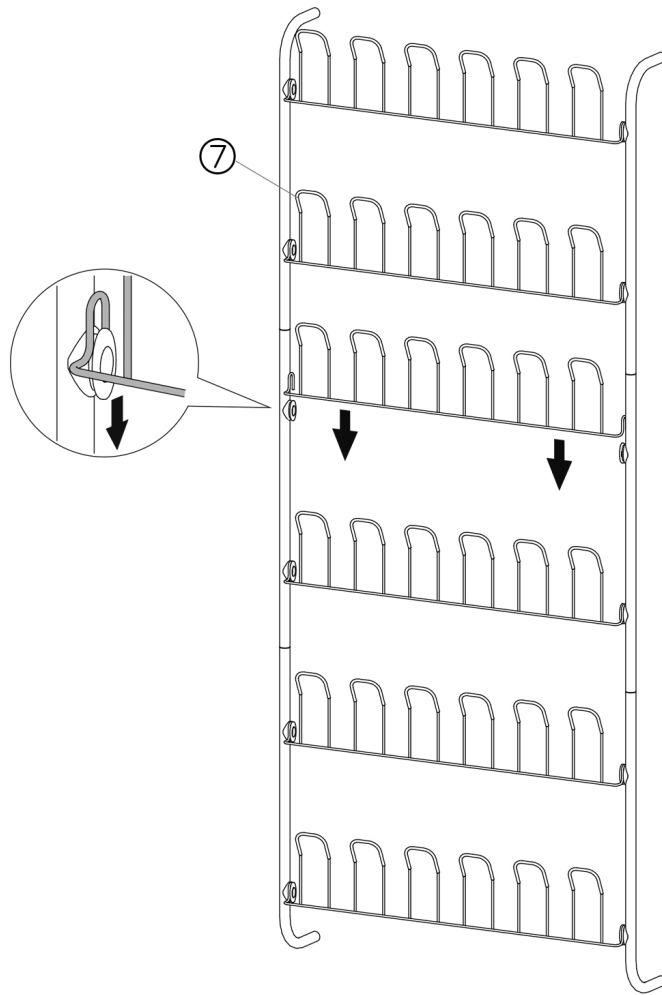
# Step 1



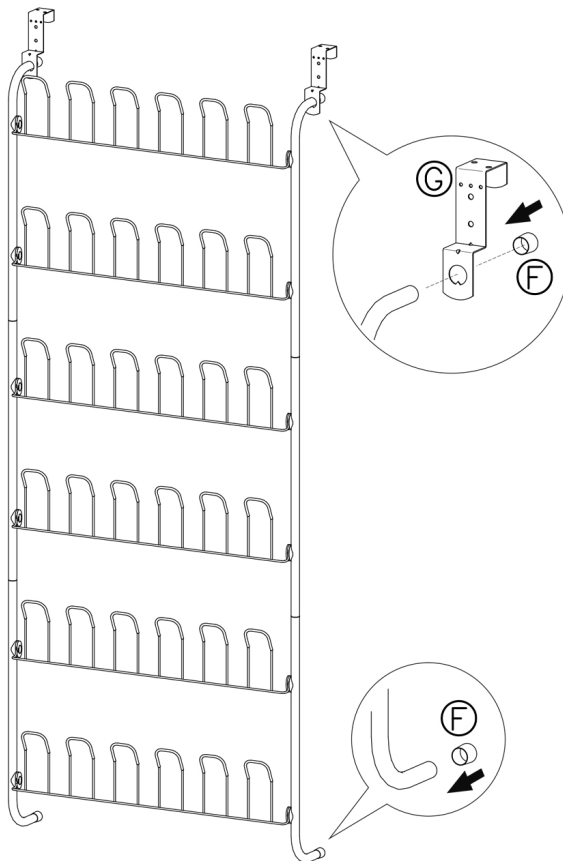
# Step 2



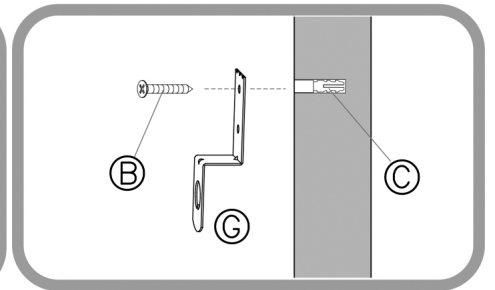
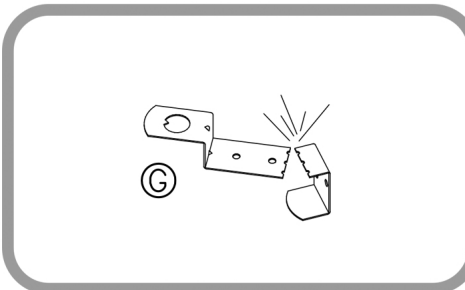
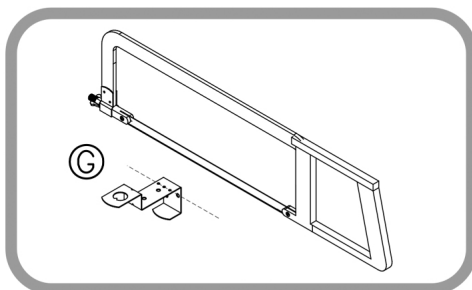
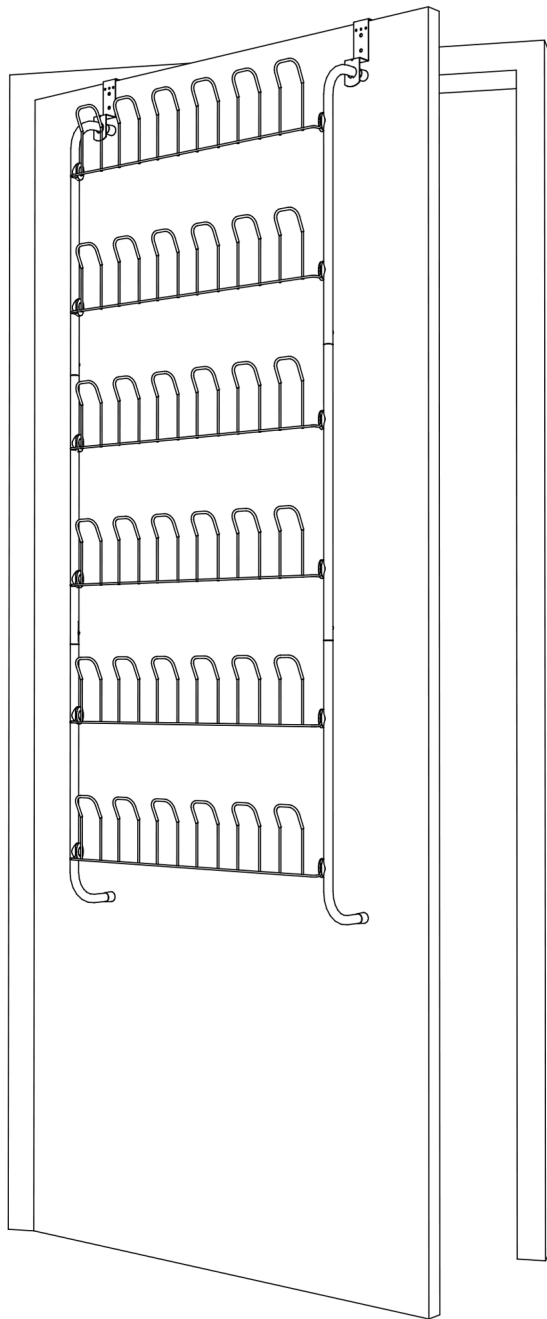
# Step 3



# Step 4



# Finish



Please Note: Part # (G) (hook) can be used in either way. See diagram above.

If hanging over the door, you may use the hook as it. However, if mounting the unit on the wall, you will need to remove the top portion of the hook along the perforated line. Please note: Once the top portion of the hook had been removed, it cannot be used as the over door function anymore.