



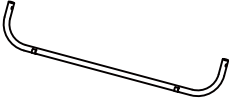










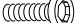


ORGANIZE IT ALL.

PLEASE READ INSTRUCTIONS COMPLETELY BEFORE ASSEMBLY

For assistance or missing parts in the USA, please email customerservice@kennedy-intl.com or call **Monday thru Friday (732) 654-2770**
All international (outside USA) customers who have missing, defective or damaged parts must contact the retailer directly to make an exchange or return for refund. All other customer service product and/or questions may be directed to us (in English).

Style: NH-17521W1P

PARTR LIST

<p>A x 1</p> 	<p>B x 1</p> 	<p>C x 4</p> 	<p>D x 4</p> 	<p>E x 1</p> 
<p>F x 1</p> 	<p>G x 1</p> 	<p>H x 2</p> 	<p>I x 1</p> 	<p>J x 4</p> 
<p>K x 2</p> 	<p>L x 4</p> 	<p>M x 4</p> 	<p>N x 1</p> 	

PLEASE NOTE:

We will accept missing parts request with proof of purchase only, within 30 days of purchase.

All return merchandise must be returned directly to the store and not the manufacturer with the proof of purchase.



ORGANIZE IT ALL.

PLEASE READ INSTRUCTIONS COMPLETELY BEFORE ASSEMBLY

For assistance or missing parts in the USA, please email customerservice@kennedy-intl.com or call **Monday thru Friday (732) 654-2770**
All international (outside USA) customers who have missing, defective or damaged parts must contact the retailer directly to make an exchange or return for refund. All other customer service product and/or questions may be directed to us (in English).

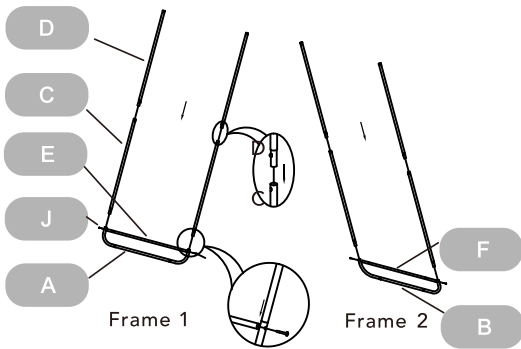
Style: NH-17521W1P

STEP 1

- A x 1
- B x 1
- C x 4
- D x 4
- E x 1
- F x 1
- J x 4

Insert part D to part C, then C to part A.
Now assemble part E to join part A with the help of screws (J).

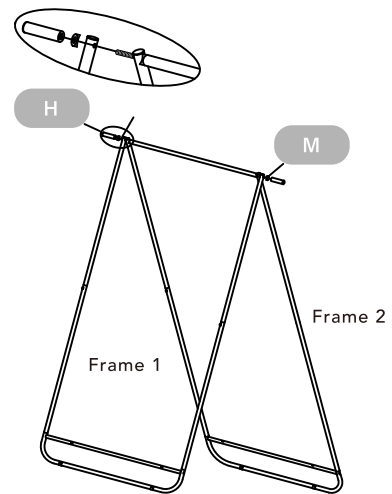
Repeat this step again on **Frame 2** this time using parts B & F.



STEP 3

- H x 2
- M x 2

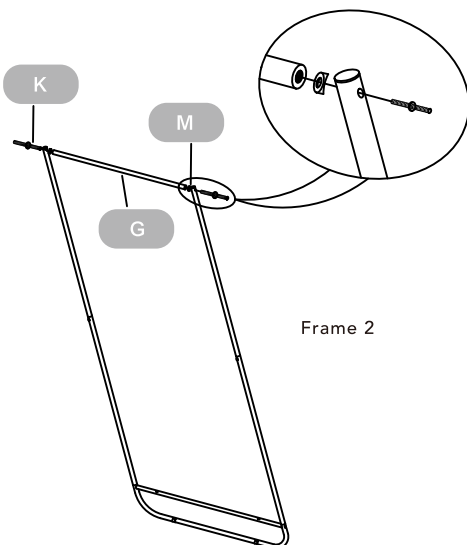
Assemble **Frame 1** and **Frame 2** together using parts M & H.



STEP 2

- K x 2
- M x 2
- G x 1

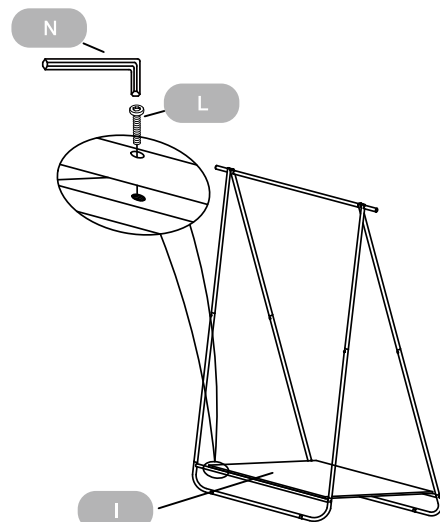
Assemble part G to **Frame 2** with the help of parts K & M (2 pcs each).



STEP 4

- L x 4
- I x 1
- N x 1

Place part I onto parts E & F. Screw (L) with the help of part N from the bottom of the shelf.



Your assembly is now complete.

PLEASE NOTE:

We will accept missing parts request with proof of purchase only, within 30 days of purchase.
All return merchandise must be returned directly to the store and not the manufacturer with the proof of purchase.