



ORGANIZE IT ALL®













PLEASE READ INSTRUCTIONS COMPLETELY BEFORE ASSEMBLY

For assistance or missing parts in the USA, please email customerservice@kennedy-intl.com or call Monday thru Friday (732) 654-2770

All international (outside USA) customers who have missing, defective or damaged parts must contact the retailer directly to make an exchange or return for refund. All other customer service product and/or questions may be directed to us (in English).

STYLE NO.
NH-1703WN

PARTS LIST

| | | | | |
|---|--|--|---|--|
| <p>A x 2</p> <p>Φ32x800mm</p>  | <p>B x 4</p> <p>Φ19x795mm</p>  | <p>C x 1</p> <p>Φ32x867mm</p>  | <p>D x 2</p> <p>Φ28x900mm</p>  | <p>E x 2</p> <p>Φ28x350mm</p>  |
| <p>F x 5</p> <p>Φ13x795mm</p>  | <p>G x 2</p>  | <p>H x 2</p>  | <p>I x 2</p>  | <p>J x 2</p>  |
| <p>K x 2</p>  | <p>L x 2</p>  | | | |

Reminder

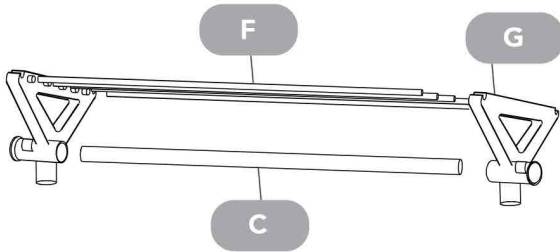
The construction of this garment rack is very tight. Need to push hard while insert tube into plastic parts

KENNEDY INTERNATIONAL, INC.

We will accept missing parts request with proof of purchase only, within 30 days of purchase. All return merchandise must be returned directly to the store and not the manufacturer with the proof of purchase.

STEP 1 C x 1 F x 5 G x 2

Insert Part F and Part C into Part G on both side.

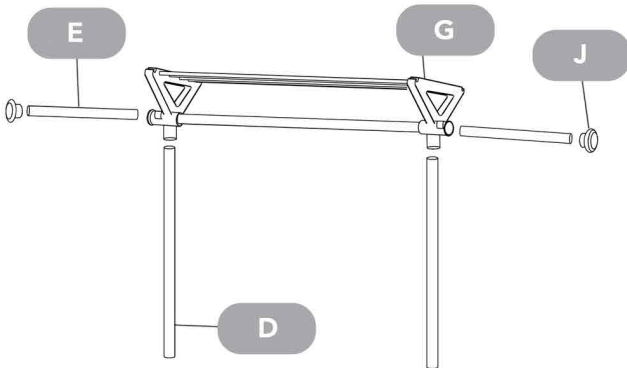


STEP 2 D x 2 E x 2 J x 2

Attach Part J onto Part E.

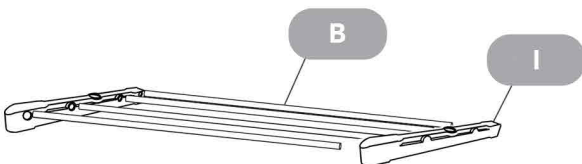
Attach assembled Part J and E to the Part G.

Insert Part D to the assembled unit.



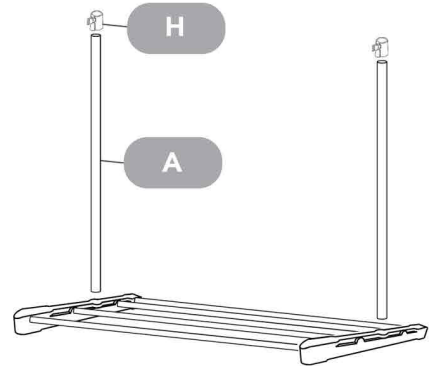
STEP 3 B x 4 I x 2

Insert Part B into Part I on both side.



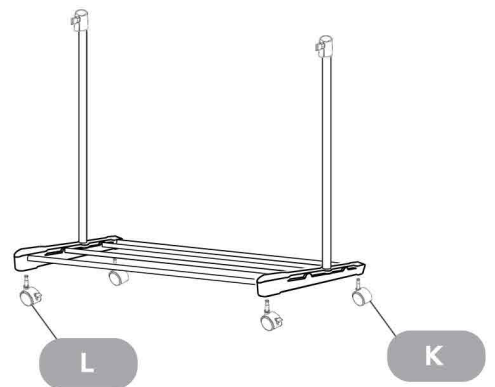
STEP 4 A x 2 H x 2

Press Part A down onto assembled unit until seated. Attach Part H to Part A.



STEP 5 K x 2 L x 2

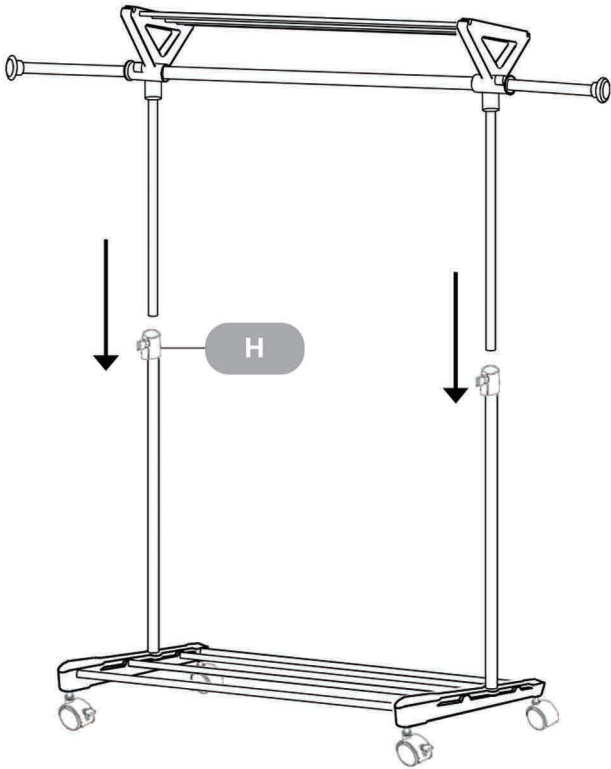
Insert wheels Part K and Part L into assembled unit.



Note: All metal tubing must be securely inserted into the plastic parts and connectors to ensure proper assembly.

STEP 6

Open the connector Part H then slide top assembled unit down to your preferred height on bottom assembled unit. Lock the connector with tubes.



YOUR ASSEMBLY IS NOW COMPLETE.

