



ORGANIZE IT ALL.

PLEASE READ INSTRUCTIONS COMPLETELY BEFORE ASSEMBLY

For assistance or missing parts in the USA, please email **customerservice@kennedy-intl.com** or call **Monday thru Friday (732) 654-2770**
All international (outside USA) customers who have missing, defective or damaged parts must contact the retailer directly to make an exchange or return for refund. All other customer service product and/or questions may be directed to us (in English).

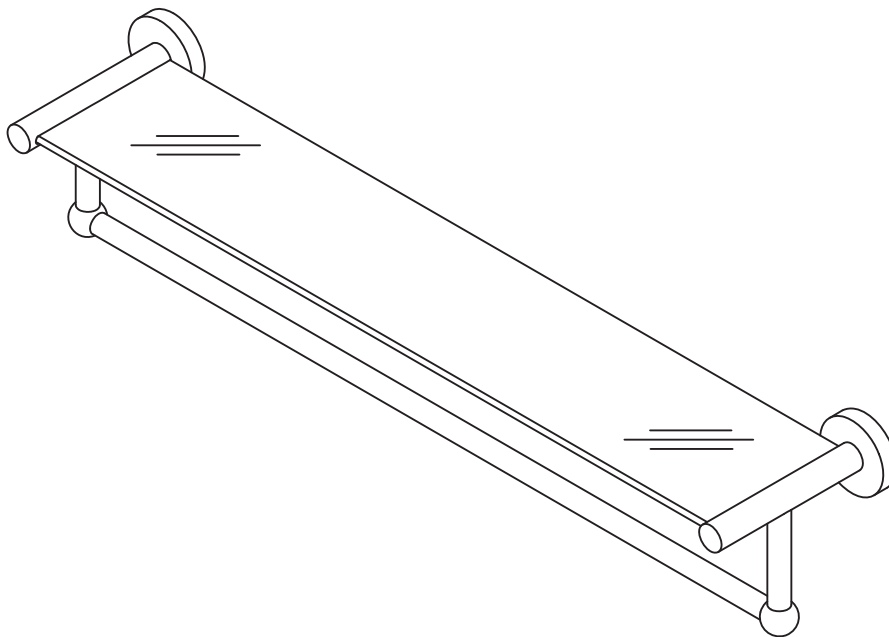
Style: NH-16905W

#	①	②	③	④	⑤	⑥	⑦	Template
PARTS								
QTY	1	1	LH x 1 RH x 1	2	2	4	4	1

TOOLS NEEDED:

- Philips Screwdriver
- Flathead Screwdriver
- Hammer

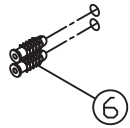
Before assembling, please detach part #4 & 5 From parts #3 and begin assembly according to steps A, B, C & D.
Caution: when removing part #5 (small screw) from part #3, please secure in safe place while assembling so that it does not get lost.



PLEASE NOTE:

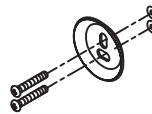
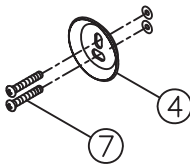
We will accept missing parts request with proof of purchase only, within 30 days of purchase.
All return merchandise must be returned directly to the store and not the manufacturer with the proof of purchase.

- A** Use template to mark the drilling positions on the wall
Install wall anchors (part #6) into the marked positions.

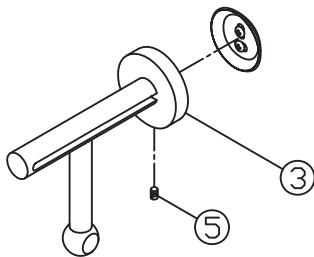


Please note: need to pre-drill holes with a 1/4" drill bit before installing wall anchors (part #6) into the wall.

- B** Fix part #4 by part #7.



- C** Screw one side of part #3 by part #5 onto part #4 on the wall.



- D** Install part #1 & part #2 onto part #3.
Then screw another side of part #3 by part #5 onto part #4 on the wall.
Assembly completed.

