

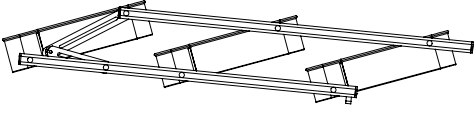


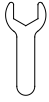


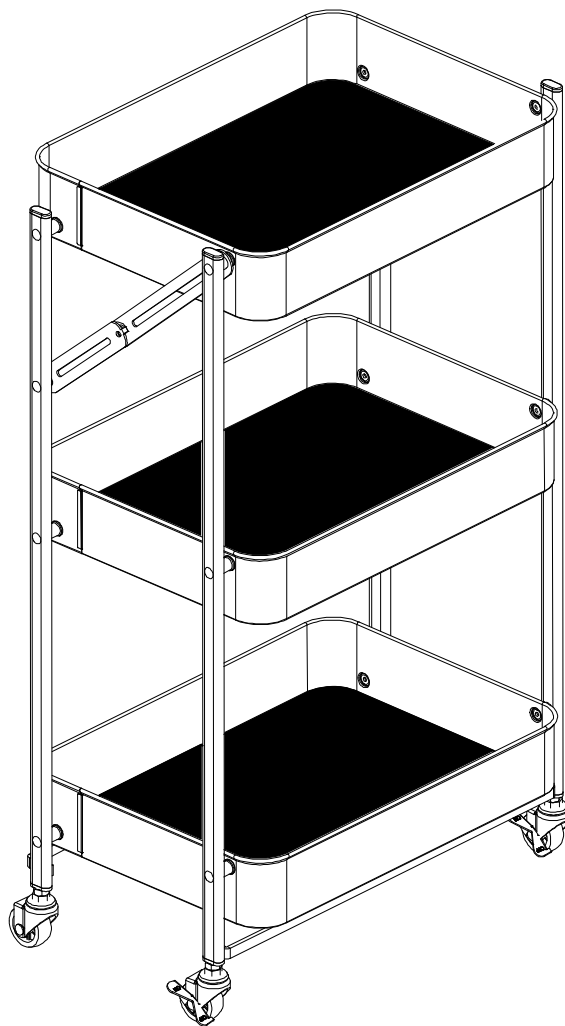
ORGANIZE IT ALL.

**PLEASE READ INSTRUCTIONS COMPLETELY BEFORE ASSEMBLY**

For assistance or missing parts in the USA, please email **customerservice@kennedy-intl.com** or call **Monday thru Friday (732) 654-2770**. All international (outside USA) customers who have missing, defective or damaged parts must contact the retailer directly to make an exchange or return for refund. All other customer service product and/or questions may be directed to us (in English).

**Style: 14243-Black/ White**

#	①	②	③	④
<b>PARTS</b>				
<b>QTY</b>	1	2	2	1

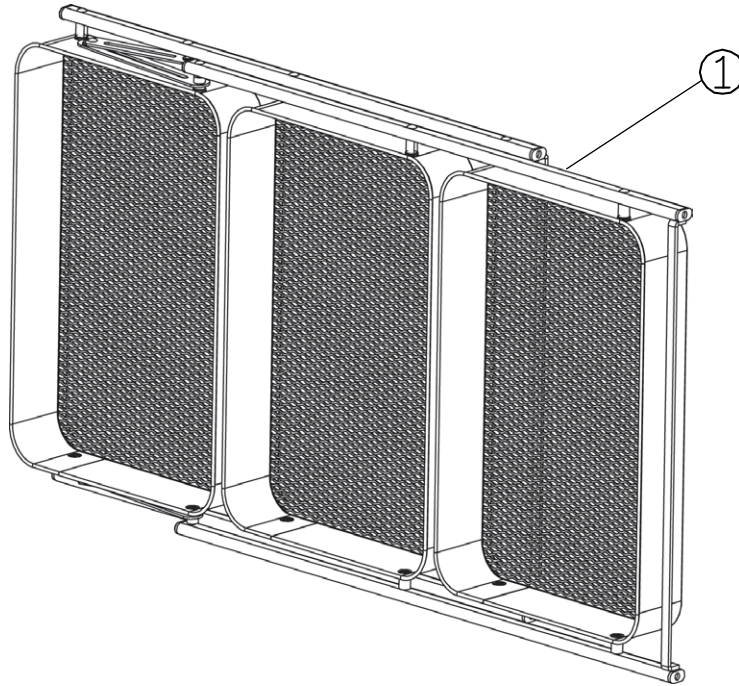


**PLEASE NOTE:**

We will accept missing parts request with proof of purchase only, within 30 days of purchase. All return merchandise must be returned directly to the store and not the manufacturer with the proof of purchase.

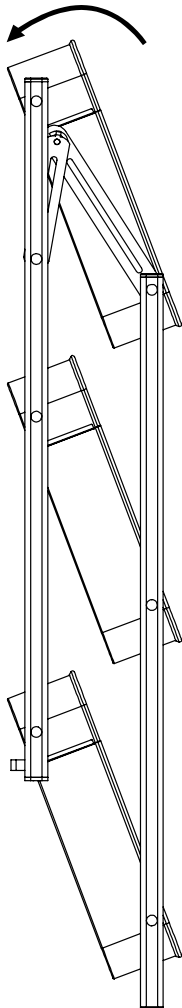
## STEP 1

Open the package and remove the cart



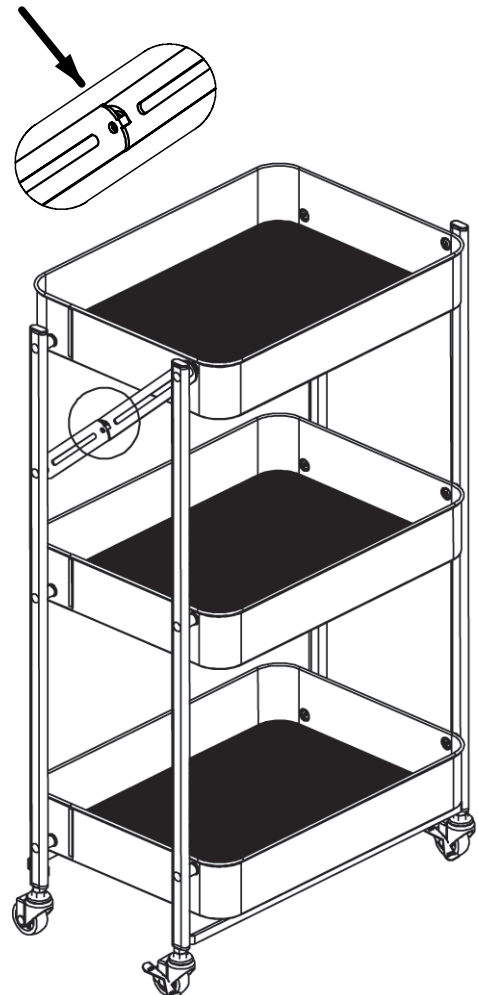
## STEP 2

Carefully unfold the cart by pushing down on the top tier as shown below.



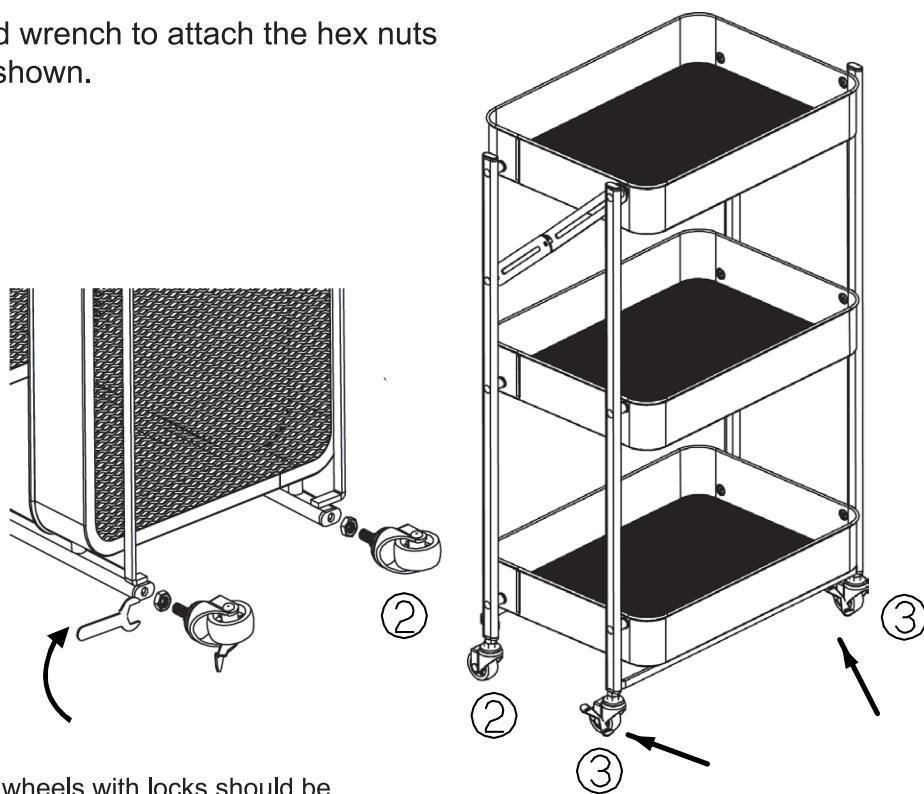
## STEP 3

Push down on the metal latch completely as shown below.



## STEP 4

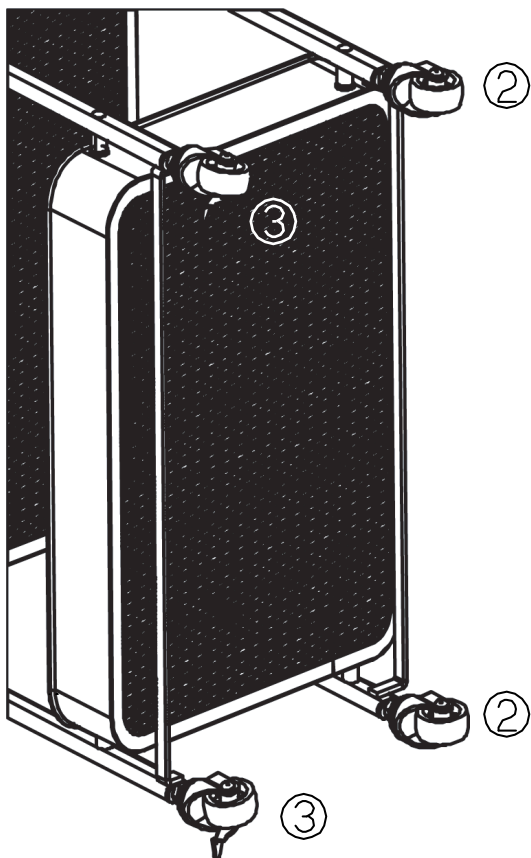
Use the included wrench to attach the hex nuts and wheels as shown.



Note: The two wheels with locks should be placed on the same side as shown.

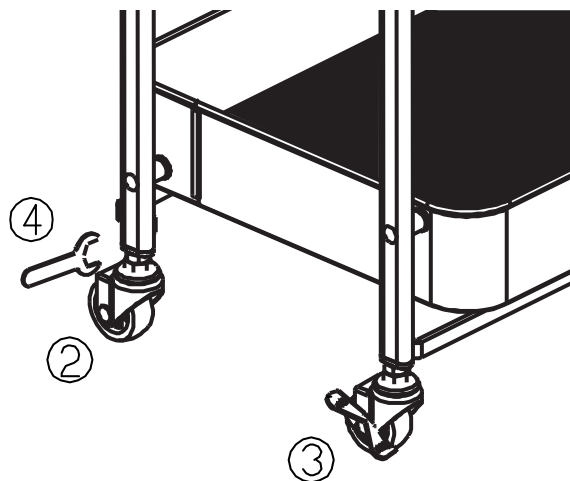
## STEP 5

Ensure all the wheels are securely attached.



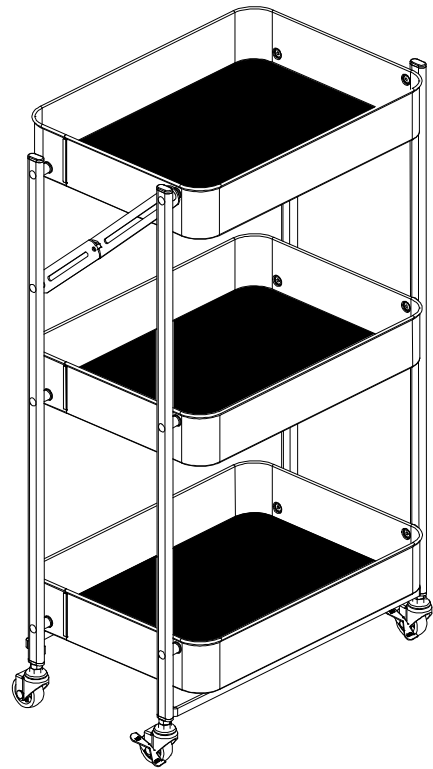
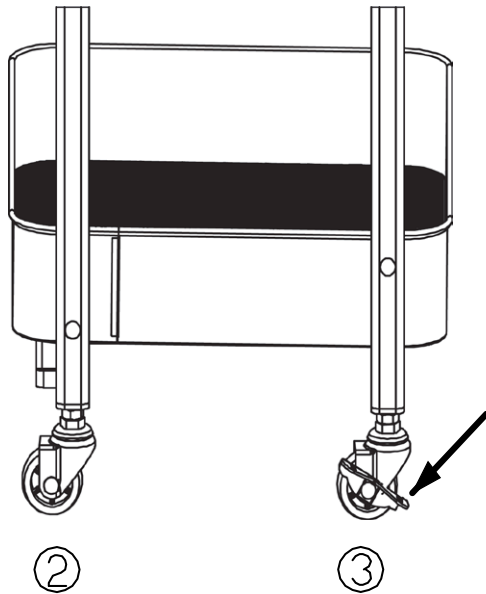
## STEP 6

Use the wrench to adjust the hex nuts on all wheels to ensure the cart is level.



## STEP 7

Unlock the brakes of the wheels to move and ensure to lock again once in use.



### **WARNING:**

\*Maximum loading:

22 lbs/10kg maximum weight limit per shelf.

66 lbs/30kg maximum weight limit for the entire unit.

\*Distribute weight evenly on shelves, place heavier items on bottom shelves.

\*Load shelves from bottom up to prevent unit from becoming too heavy.

\*Carefully place items on shelves-do not drop or throw items onto shelves.

\*Do not climb on shelves or attempt to use as ladder.

\*Use only on hard, flat and level surface.

\*Use caution when opening or folding to ensure that fingers do not become entrapped.

\*Wipe with a soft dry cloth.

\*Failure to follow these instructions could result in serious personal injury, failure of unit or both.

\*Keep fingers away from hinges and moving parts.

**WARNING: KEEP WHEELS IN THE LOCKED POSITION DURING NORMAL USE. KEEPING WHEELS LOCKED CAN PREVENT INSTABILITY AND TIPPING CAUSED BY UNINTENTIONAL MOVEMENT.**