



TIPS & HACKS

Standing Towel Rack

Organize Towels:

Use the top rung for hanging hand towels, the lower one hanging for bath towels and the shelf on the bottom for extra clean ones. This will help keep your towels organized and easily accessible.

Organize toiletries and essentials:

The bottom shelf can be used to store bathroom essentials. Place items like toiletries or extra hand soaps on the shelf to keep them within reach and reduce clutter on your bathroom countertop.

Utilize hooks or hanging organizers:

If you need additional storage options, consider adding hooks to the towel rack. You can hang lightweight items like loofahs or shower caps. This will maximize the use of available space.

Add decorative touches:

Enhance the aesthetic appeal of your bathroom by adding decorative elements to the towel rack. Place a small potted plant, potpourri, or decorative jars on the bottom shelf to create a visually pleasing display.

Consider towel folding techniques:

Explore different towel folding techniques to optimize space on the towel rack. For example, you can fold towels in a compact and uniform manner to fit more on the rungs or stack them efficiently on the bottom shelf.

Coordinate towel colors:

If you have multiple towels hanging on the rack, consider coordinating their colors to create a cohesive and visually pleasing display. This can add a touch of style and elegance to your bathroom decor.

Scarf or accessory organizer:

Give your scarves, belts, neckties, or other accessories a stylish home by draping them over the rungs. This unconventional approach not only keeps your accessories organized but also provides a decorative element in your bedroom or closet.

Drying rack for delicates:

If you have delicate clothing items that need to air dry, repurpose the towel rack as a drying rack. Hang lingerie, bathing suits, or other delicate garments over the rungs, allowing them to dry naturally while maintaining their shape.

Using the towel rack in its conventional way is an efficient method for organizing your towels in the bathroom. It keeps them within easy reach and ensures they dry properly. Don't limit yourself to its traditional function, though. Transform it into a unique piece of decor, a versatile organizer, or even a source of inspiration for your imagination. The possibilities are endless when you unleash your creativity and reimagine the humble towel rack as a canvas for innovative and personalized ideas.



ORGANIZE IT ALL.



ORGANIZE IT ALL.

PLEASE READ INSTRUCTIONS COMPLETELY BEFORE ASSEMBLY

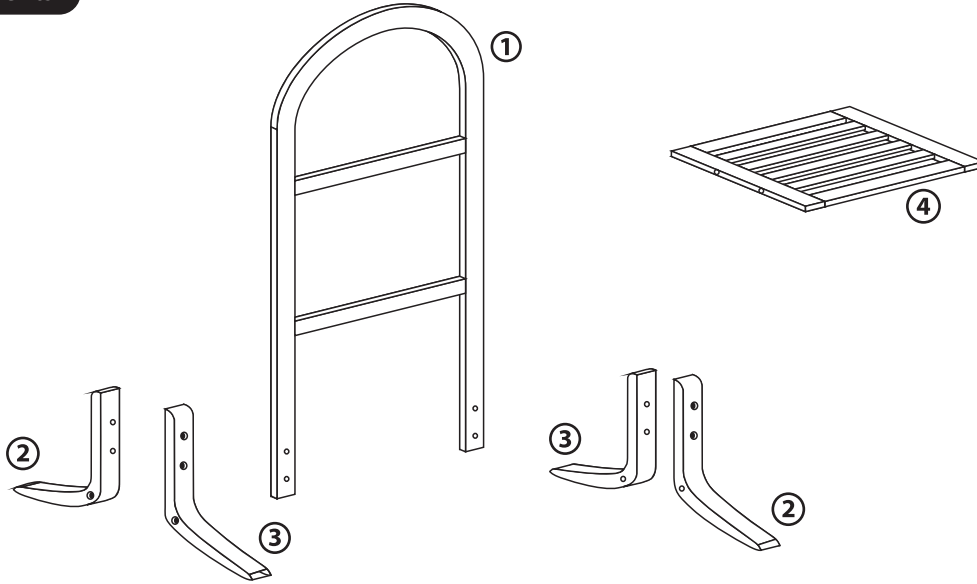
For assistance or missing parts in the USA, please email


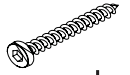

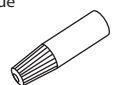

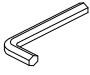
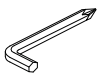
customerservice@kennedy-intl.com or call Monday thru Friday (732) 654-2770

All international (outside USA) customers who have missing, defective or damaged parts must contact the retailer directly to make an exchange or return for refund. All other customer service product and/or questions may be directed to us (in English).

Style:NH-10245-BH

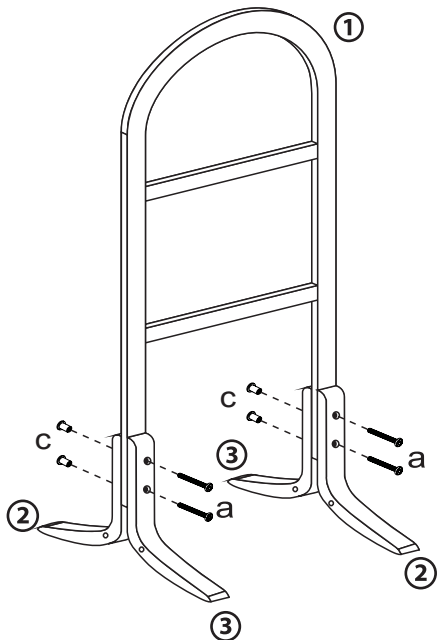
Components







Bolt		ax4
Screw		bx4
Philips Nut Sleeve		cx4
Glue		
Wood Cap		dx8
Tool 1		
Tool 2		

Step 1

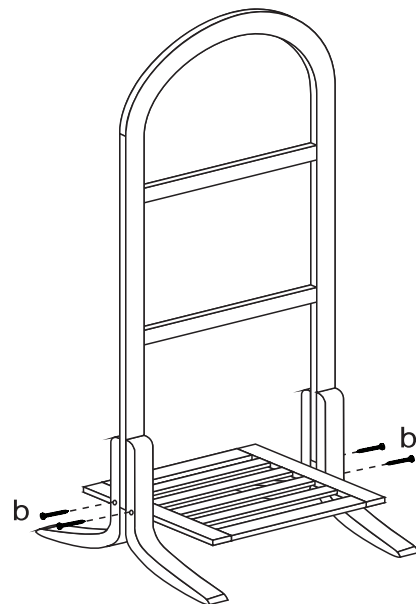
Align the holes of parts 1, 2, & 3 as shown below. Attach parts 1, 2, & 3 with Bolts (a) and Philips Nut Sleeve (c) as shown below.





Tool 1	Tool 2	Bolt	Philips Nut Sleeve
			
		ax4	cx4

Step 2

Attach part 4 to the construction with screws (b).

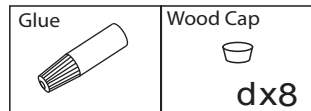
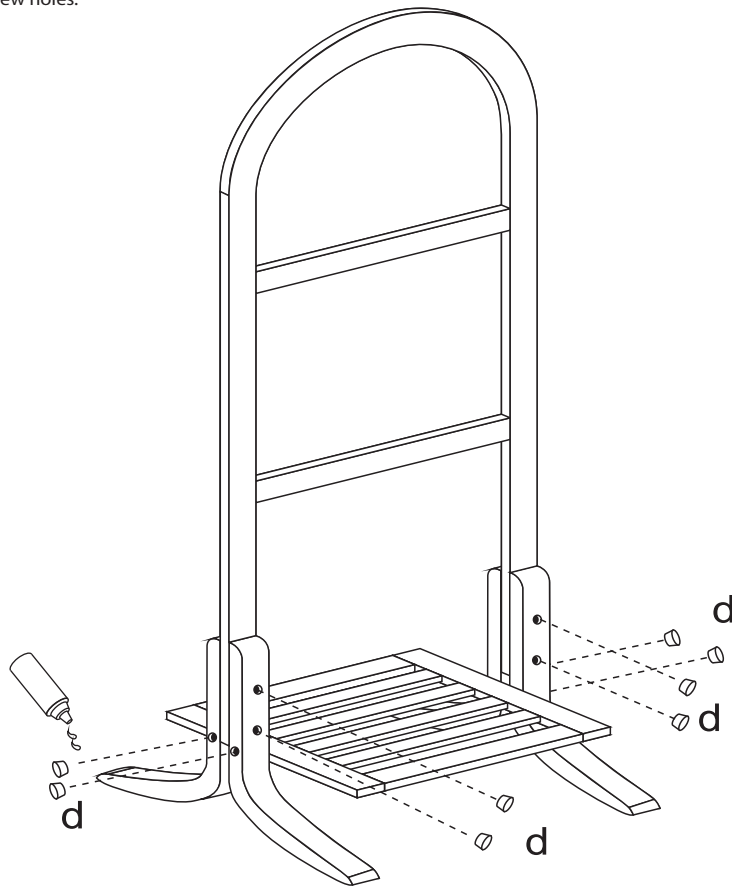
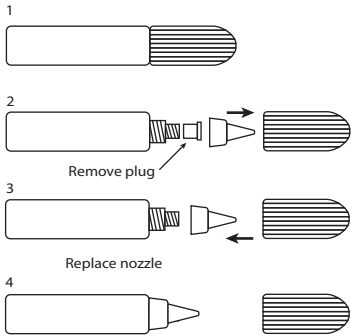


Tool 1	Screw
	
	bx4

Step 3

*Optional
Add a drop of glue to the flat end of the wood caps (d).
Insert wood caps (d) into screw holes.

How to open glue:



PLEASE NOTE:

We will accept missing parts request with proof of purchase only, within 30 days of purchase.
All return merchandise must be returned directly to the store and not the manufacturer with the proof of purchase.