



TIPS & HACKS

Three Tier Tower

Embrace the natural beauty:

Bamboo has a warm and earthy aesthetic, so take advantage of its natural charm. Place the bamboo tower in a visible area where its unique texture and color can enhance the overall ambience of your home.

Incorporate lighting:

Augment the ambience by adding small LED lights or fairy lights to the bamboo tower. Wind them around the bamboo poles or the tiers to create a warm and cozy atmosphere in the evenings.

Care for your bamboo:

Keep your bamboo tower looking its best by regularly dusting it with a soft cloth. Avoid using harsh chemicals or abrasive materials that could damage the natural finish.

Explore different uses:

While the tower is primarily designed for storage, it can serve various purposes in different rooms. In the bathroom, it can hold towels and toiletries. In the kitchen, it can store pots, pans, or dry goods. Get creative and think outside the box to find the best use for your bamboo tower in each room.

Add baskets or fabric liners:

To prevent smaller items from slipping through the slats, consider adding baskets or fabric liners to each tier. These can help contain loose items and add an extra touch of organization to the tower.

Enhance with accessories:

To personalize your bamboo tower place small decorative items on it. Try putting a small plant or a scented candle on one of the tiers. Touches like this can add warmth and personality to your space.

Optimize vertical space:

Utilize the vertical space of the bamboo tower to maximize storage. Arrange items from top to bottom based on frequency of use. Keep frequently used items on the top tier and other items on lower tiers.

Create a spa-like atmosphere:

In a bathroom you can enhance the ambience by incorporating spa-like elements. Place clean, rolled up towels on one tier. Adding an essential oil diffuser or potpourri on a tier of the tower can bring a relaxing aroma to the space.

Note that bamboo is a sustainable and eco-friendly material that can bring a touch of nature into your home. Use these tips to make the most of your three tier bamboo tower. Combine functionality, style, and eco-consciousness to create a harmonious living space.





ORGANIZE IT ALL®

PLEASE READ INSTRUCTIONS COMPLETELY BEFORE ASSEMBLY

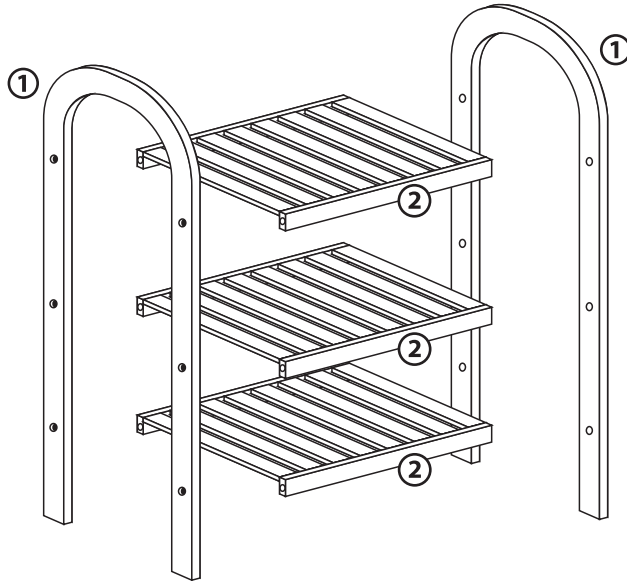
For assistance or missing parts in the USA, please email

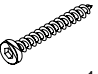


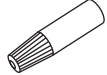

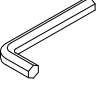

customerservice@kennedy-intl.com or call **Monday thru Friday (732) 654-2770**

All international (outside USA) customers who have missing, defective or damaged parts must contact the retailer directly to make an exchange or return for refund. All other customer service product and/or questions may be directed to us (in English).

Style:NH-10243-BH

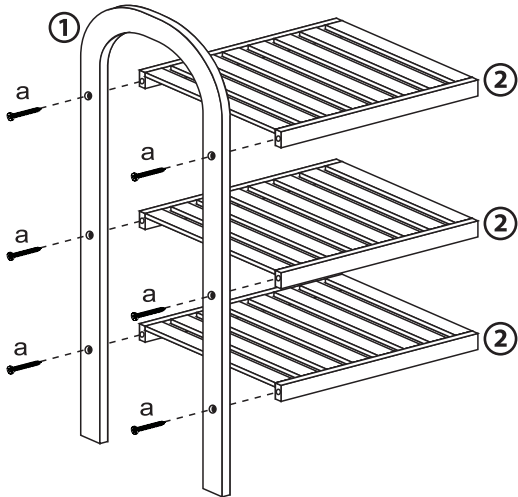
Components


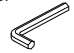


Screw  ax12
Floor Protector  bx4
Wood Cap  cx12
Glue 
Wall Screw Set  dx2
Tool 1 
Bracket Set  ex2

Step 1

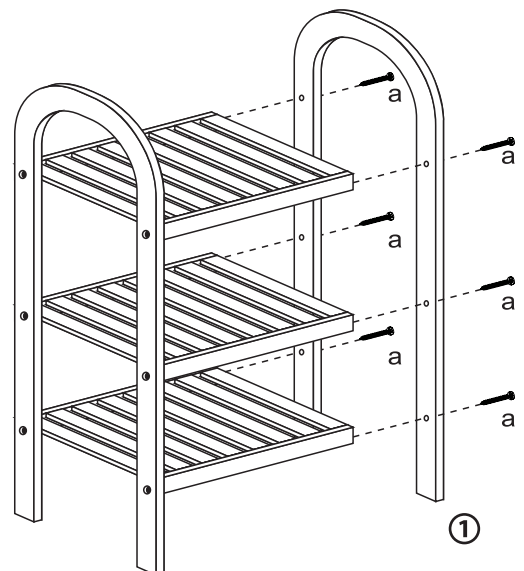
Attach parts 1 & 2 with screws(a). Keep part 2 oriented flat side up when attaching it to the part 1.


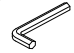


Screw  ax6	Tool 
-----------------------------------------------------------------------------------------------------	---------------------------------------------------------------------------------------------

Step 2

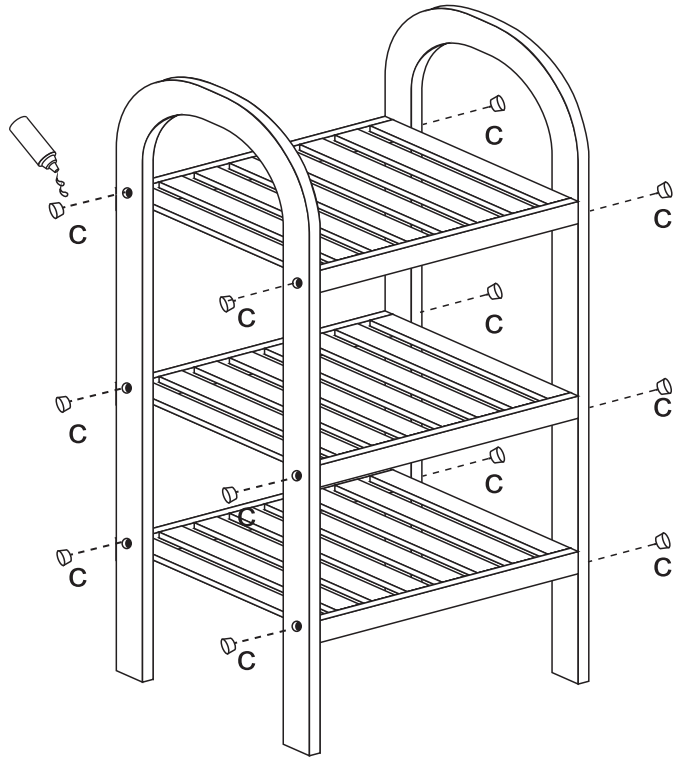
Repeat process of step 1 for the other side.



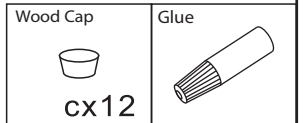
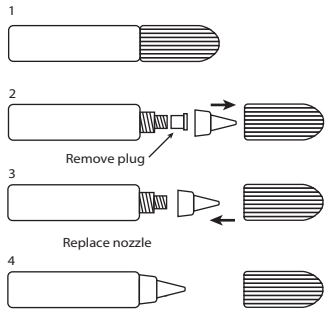
Screw  ax6	Tool 
-------------------------------------------------------------------------------------------------------	-----------------------------------------------------------------------------------------------

Step 3

*Optional
Add a drop of glue to the flat end of the wood caps (c).
Then, insert wood caps (c) into screw holes.

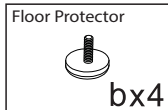
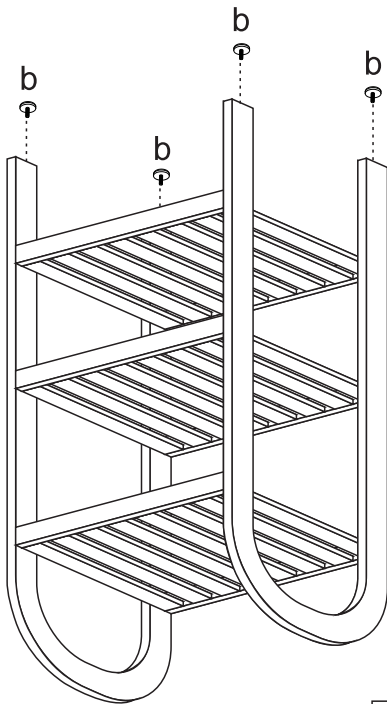


How to open glue:



Step 4

Attach floor protectors (b) to the feet of the construction.

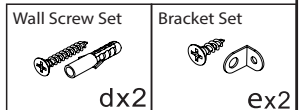
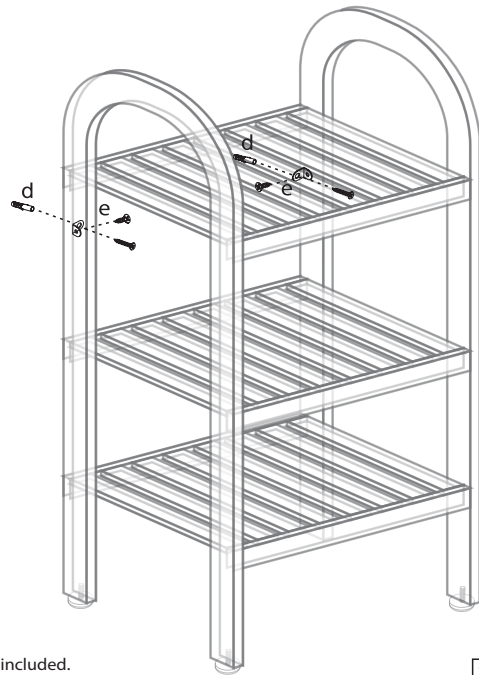


Drill not included.



Step 5

*Optional
Attach bracket set (e) to the rear inside of the construction.
Install wall screw set (d) through the bracket set (e) into the wall.
Pre-drill hole into wall to fit wall screw set (d).



PLEASE NOTE:

We will accept missing parts request with proof of purchase only, within 30 days of purchase.

All return merchandise must be returned directly to the store and not the manufacturer with the proof of purchase.