



TIPS & HACKS

Three Tier Corner Tower

Utilize the space:

The three-tier corner tower is perfect for maximizing storage in tight spaces. Place it in a corner of your room or bathroom to take advantage of unused areas.

Rotate your display:

Change the items on display often to keep things fresh and interesting. Swap out decorations or showcase different items to add variety. This way, your three-tier corner tower will not just be functional, it will serve as a display piece.

Consider lighting:

If your tower is positioned in a dimly lit corner, consider adding some lighting. Small battery-operated puck lights can be placed on any tier to illuminate the items and create a warm ambiance.

Organize by frequency of use:

Arrange your items on the tower based on how often you use them. Keep frequently used items on the higher tiers for easy access, and lesser-used items on the lower tiers.

Create a focal point:

Use the corner tower as a decorative focal point in your room. Arrange visually appealing items on the shelves, such as plants or books.

Use it in different rooms:

Even though the three-tier corner tower is commonly used in bathrooms, it makes a functional and visually appealing storage solution in bedrooms, living rooms, or even offices. Customize the items on it based on the room it is used in and who will see it.

Keep it clean:

Regularly clean the tower to maintain its appearance and prevent the buildup of dirt.

Experiment and have fun:

Don't be afraid to experiment with configurations or uses of your tower. It's a versatile piece of furniture that can be adapted to various rooms and purposes. Have fun exploring different ways to make the most of this handy storage solution!

The three-tier corner tower is a versatile and practical storage solution. With a little creativity and organization, it can become an asset in your home. Enjoy making the most of your corner tower!



ORGANIZE IT ALL.



ORGANIZE IT ALL.

PLEASE READ INSTRUCTIONS COMPLETELY BEFORE ASSEMBLY

For assistance or missing parts in the USA, please email customerservice@kennedy-intl.com or call Monday thru Friday (732) 654-2770. All international (outside USA) customers who have missing, defective or damaged parts must contact the retailer directly to make an exchange or return for refund. All other customer service product and/or questions may be directed to us (in English).

Style:NH-10242-BH

Components

	Screw ax14
	Floor Protector bx4
	Wood Cap cx14
	Glue
	Wall Screw Set dx1
	Tool
	Wall Strap ex1

Step 1 Attach parts 1 & 2 with screws(a).

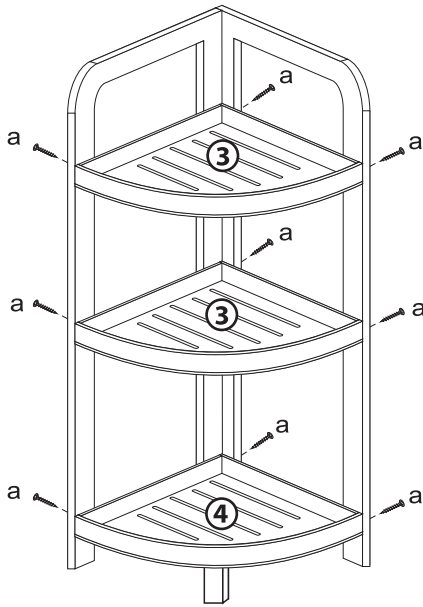
	Tool
	Screw ax3

Step 2 Attach parts 4 & 5 with screws(a).

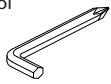
	Tool
	Screw ax2

Step 3

Attach parts 3 & 4 to the construction of parts 1 & 2 with screws(b). Keep part 3 & 4 oriented flat side down when attaching it to the construction of parts 1 & 2.



Tool



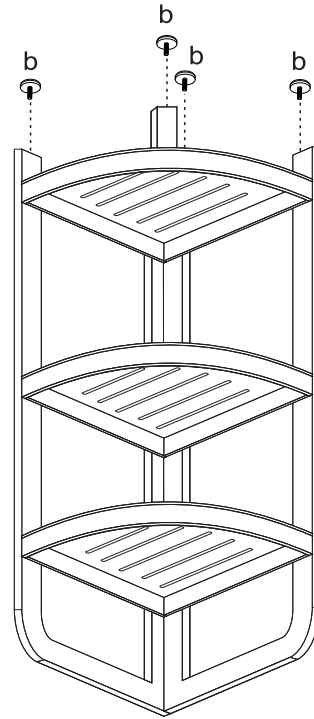
Screw



ax9

Step 5

Attach floor protectors (b) to the feet of the construction.



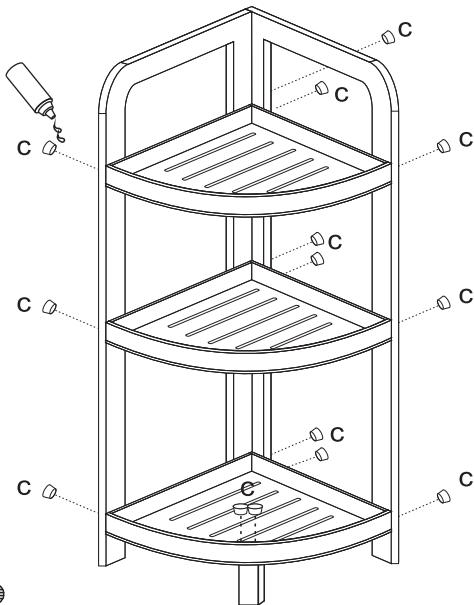
Floor Protector



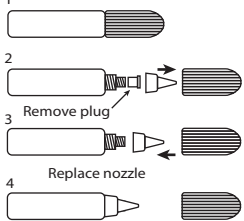
ex4

Step 4

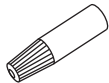
*Optional
Add a drop of glue to the flat end of the wood caps (c). Then, insert wood caps (c) into screw holes.



How to open glue:



Glue



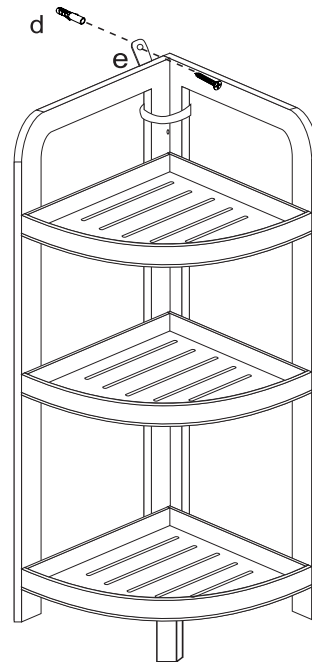
Wood Cap



cx14

Step 6

*Optional
Attach Wall strap (e) to the rear inside of the construction. Install wall screw set(d) through the Wall strap (e) into the wall. Pre-drill hole into wall to fit wall screw set (d).



Wall Strap



bx1

Wall Screw Set



cx1

Drill not included.



PLEASE NOTE:

We will accept missing parts request with proof of purchase only, within 30 days of purchase.

All return merchandise must be returned directly to the store and not the manufacturer with the proof of purchase.