

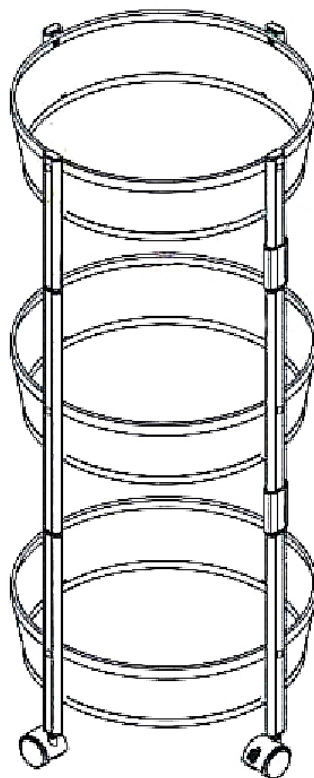


ORGANIZE IT ALL.

PLEASE READ INSTRUCTIONS COMPLETELY BEFORE ASSEMBLY

For assistance or missing parts in the USA, please email **customerservice@kennedy-intl.com** or call **Monday thru Friday (732) 654-2770**. All international (outside USA) customers who have missing, defective or damaged parts must contact the retailer directly to make an exchange or return for refund. All other customer service product and/or questions may be directed to us (in English).

Style: 15263-Black



WARNING:

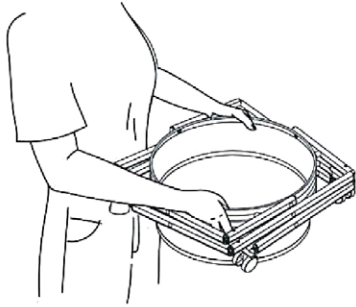
- *Maximum loading:
11 lbs/ 5 kg maximum weight limit per shelf.
33 lbs/15kg maximum weight limit for the entire unit.
- *Distribute weight evenly on shelves, place heavier items on bottom shelves.
- *Load shelves from bottom up to prevent unit from becoming too heavy.
- *Carefully place items on shelves-do not drop or throw items onto shelves.
- *Use only on hard, flat and level surface.
- *Use caution when opening or folding to ensure that fingers do not become entrapped.
- *Wipe with a soft dry cloth.
- *Keep fingers away from hinges and moving parts.

PLEASE NOTE:

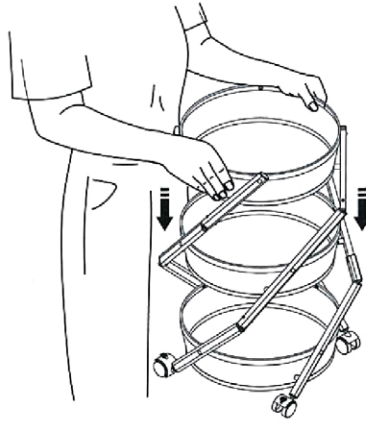
We will accept missing parts request with proof of purchase only, within 30 days of purchase. All return merchandise must be returned directly to the store and not the manufacturer with the proof of purchase.

OPEN AND COLLAPSED IN SECONDS!

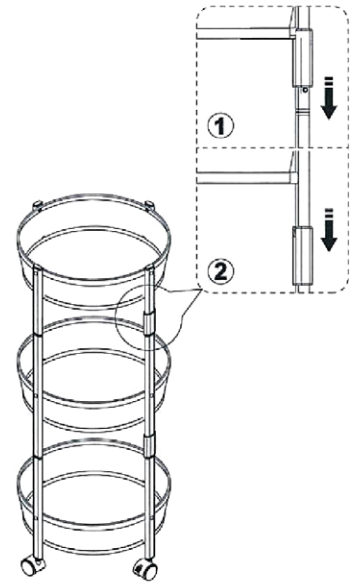
Product expansion demonstration



Grasp the edge of basket with both hands and lift the product.

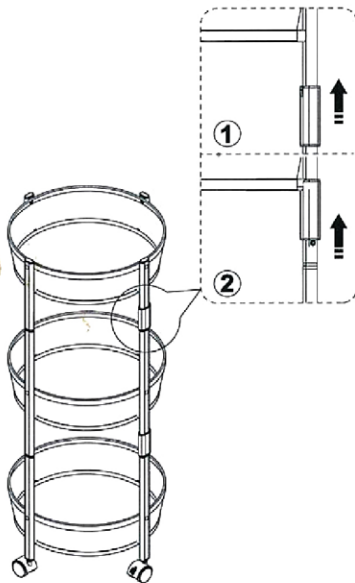


Release and lift only the top basket then swing downwards.

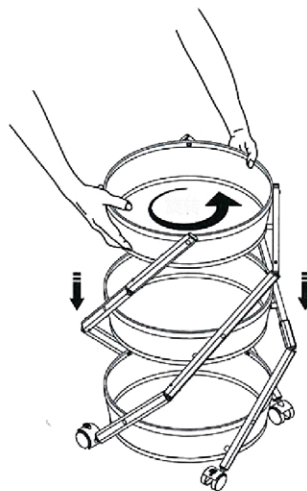


Slide down the clips.

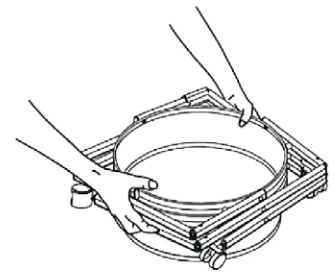
Product collapsed demonstration



Slide up the clips



Rotated counter clockwise and press down the basket



Hands tightly closed, storage completed