



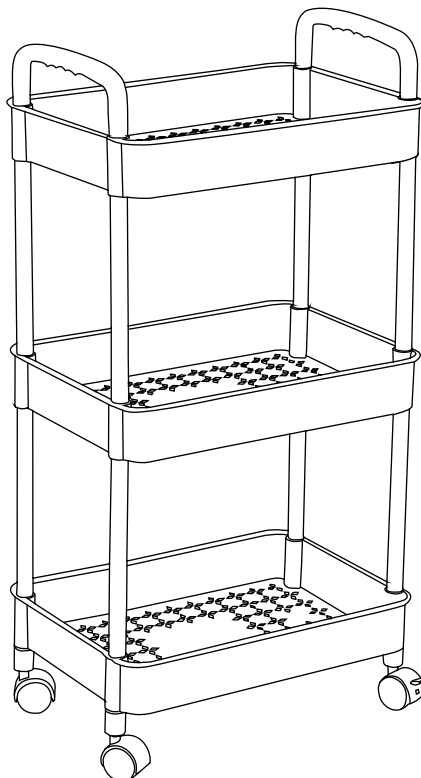
ORGANIZE IT ALL.

**PLEASE READ INSTRUCTIONS COMPLETELY BEFORE ASSEMBLY**

For assistance or missing parts in the USA, please email **customerservice@kennedy-intl.com** or call **Monday thru Friday (732) 654-2770**  
All international (outside USA) customers who have missing, defective or damaged parts must contact the retailer directly to make an exchange or return for refund. All other customer service product and/or questions may be directed to us (in English).

**Style: 15261-Black/ White**

#	①	②	③
<b>PARTS</b>			
<b>QTY</b>	3	8	2
#	④	⑤	⑥
<b>PARTS</b>			
<b>QTY</b>	4	2	2

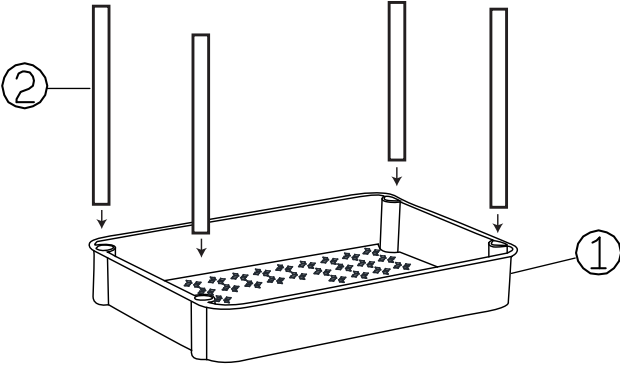


**PLEASE NOTE:**

We will accept missing parts request with proof of purchase only, within 30 days of purchase.  
All return merchandise must be returned directly to the store and not the manufacturer with the proof of purchase.

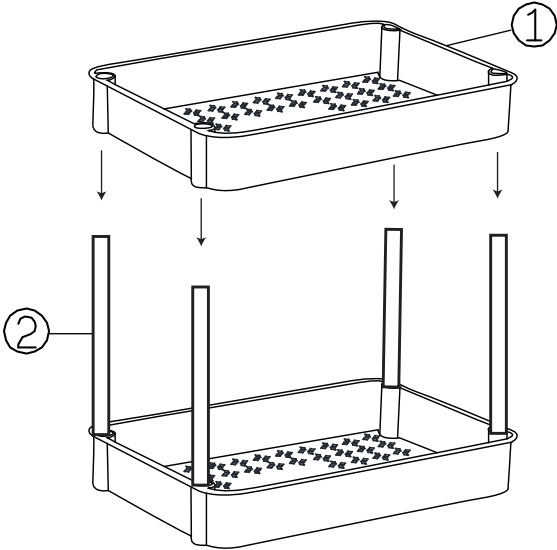
# STEP 1

Insert the first layer of connecting rod and the first layer of basket



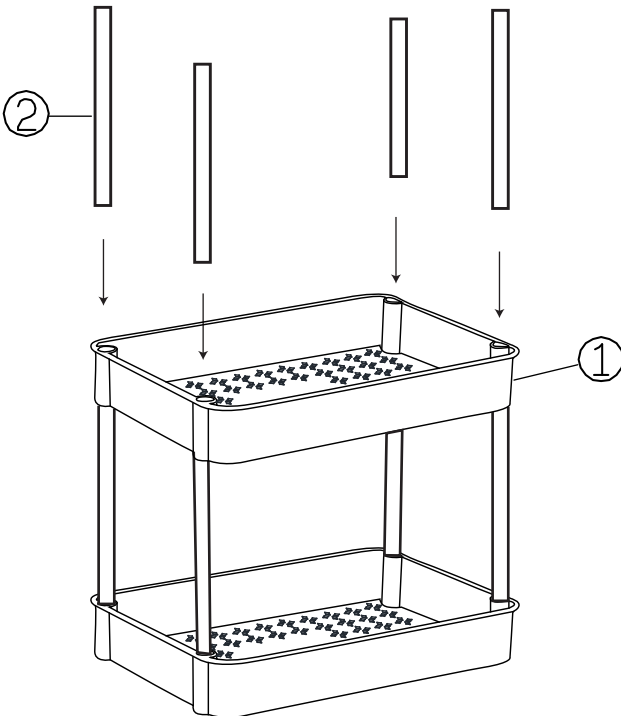
# STEP 2

Insert the second layer of the basket and the first layer of the connecting rod



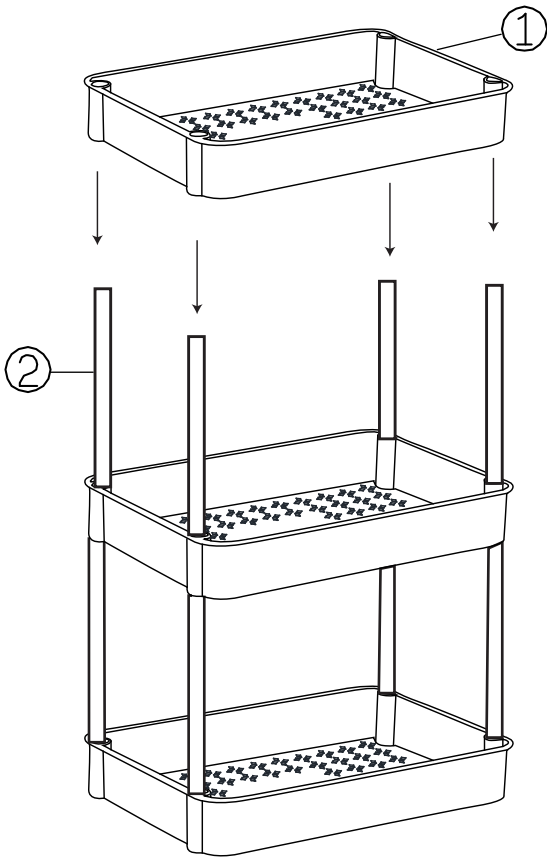
# STEP 3

Insert the second layer of the connecting rod and the second layer of the basket



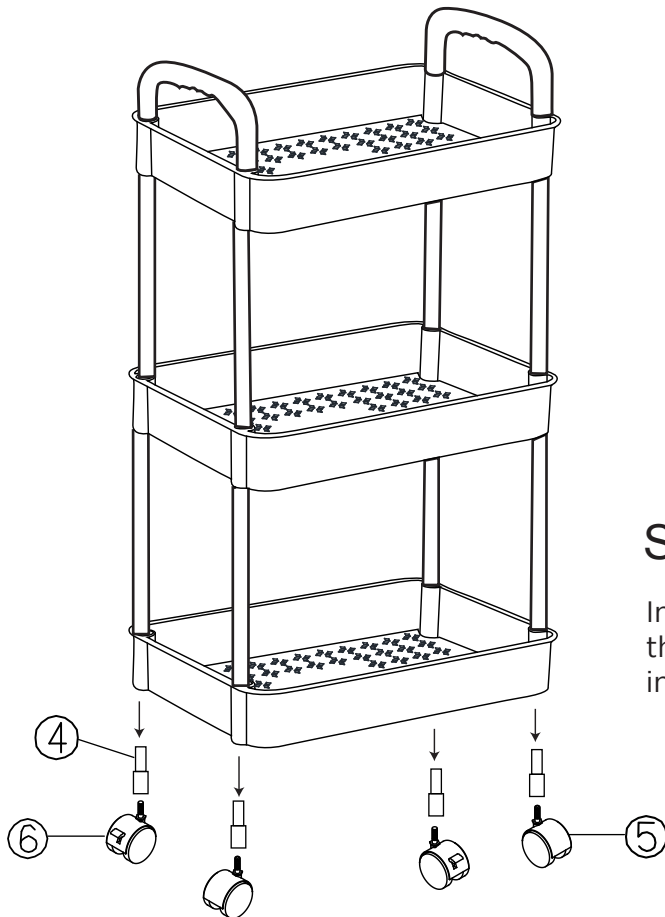
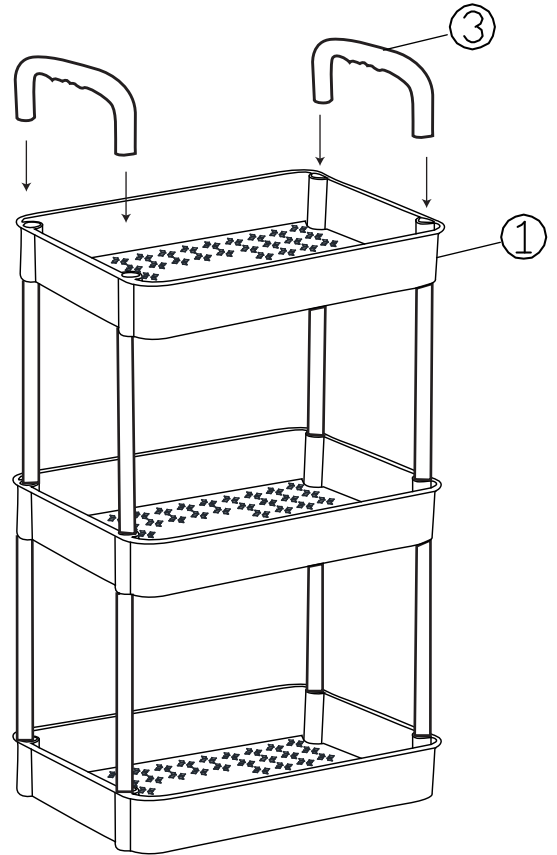
## STEP 4

Insert the third layer basket and the second layer of the connecting rod



## STEP 5

Insert the handle and the third layer basket tightly

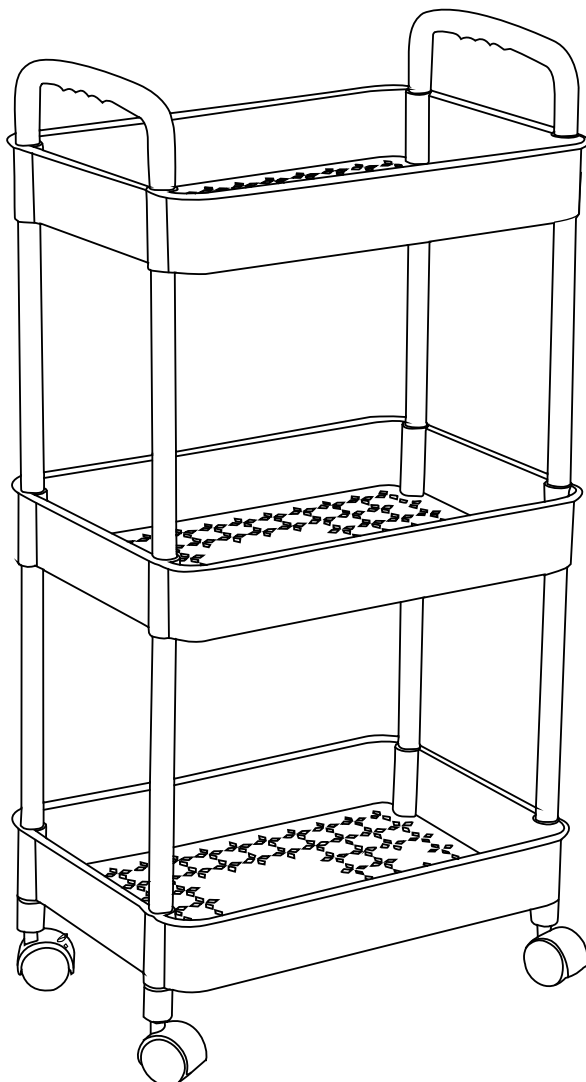


## STEP 6

Insert the inner plug tightly with the bottom of first basket then insert the casters

## STEP 7

Item completed



### **WARNING:**

\*Maximum loading:

11 lbs/ 5 kg maximum weight limit per shelf.

33 lbs/15kg maximum weight limit for the entire unit.

\*Distribute weight evenly on shelves, place heavier items on bottom shelves.

\*Load shelves from bottom up to prevent unit from becoming too heavy.

\*Carefully place items on shelves-do not drop or throw items onto shelves.

\*Use only on hard, flat and level surface.

\*Wipe with a soft dry cloth.