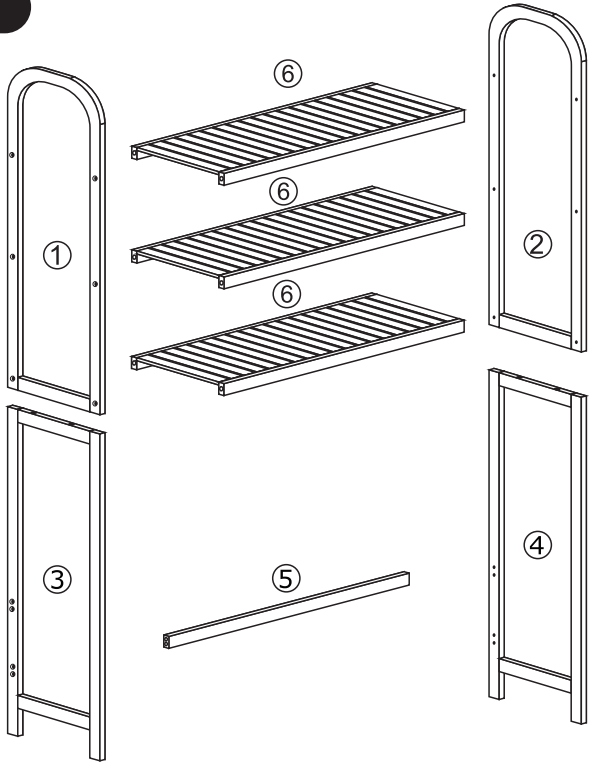


Assembly Instructions

10241-BH-WM

Components

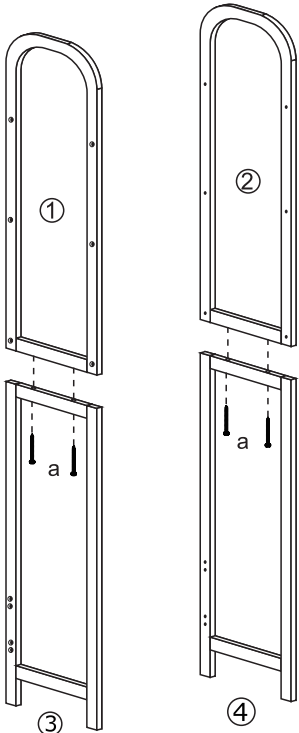


Shelf Max Weight: 33lbs (15kgs)

Bolt ax4	Bracket Set dx2
Screw bx16	Wall Screw Set ex2
Wood Cap cx20	Floor Protector fx4
Glue 	Tool

Step 1

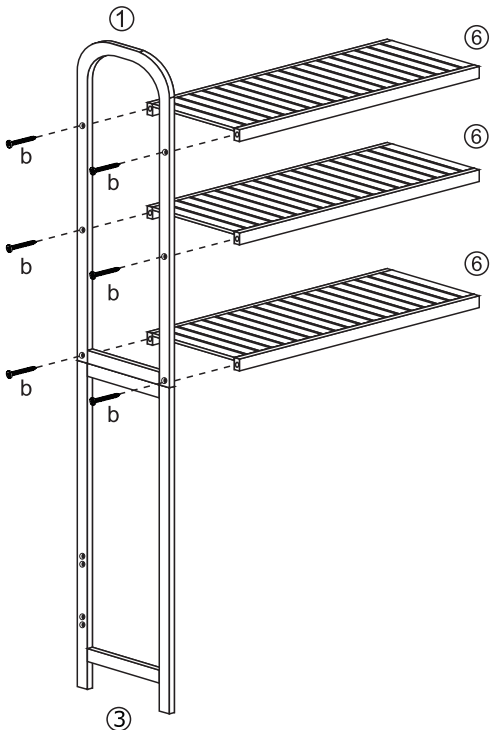
Attach part 1 & 3 with bolts (a).
Attach part 2 & 4 with bolts (a).



Bolt ax4	Tool
-------------	----------

Step 2

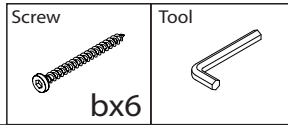
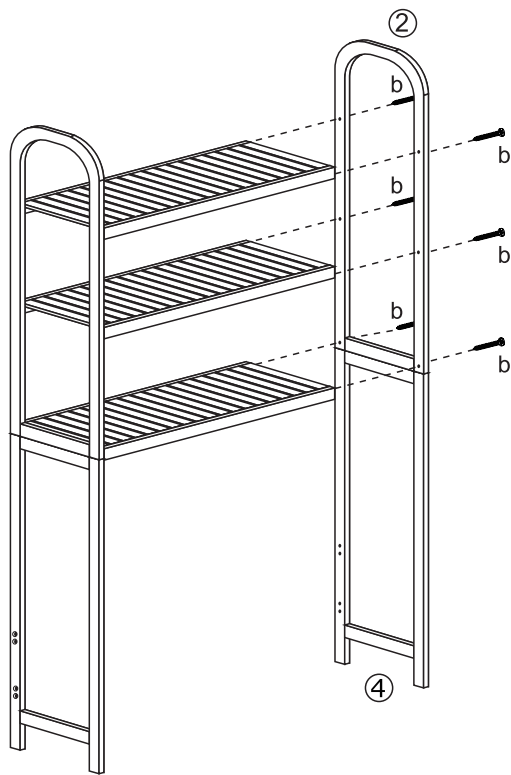
Attach parts 6 to the construction of parts 1 & 3 with screws (b).
Keep part 6 oriented flat side up when attaching it to the construction of parts 1 & 3.



Screw bx6	Tool
--------------	----------

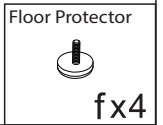
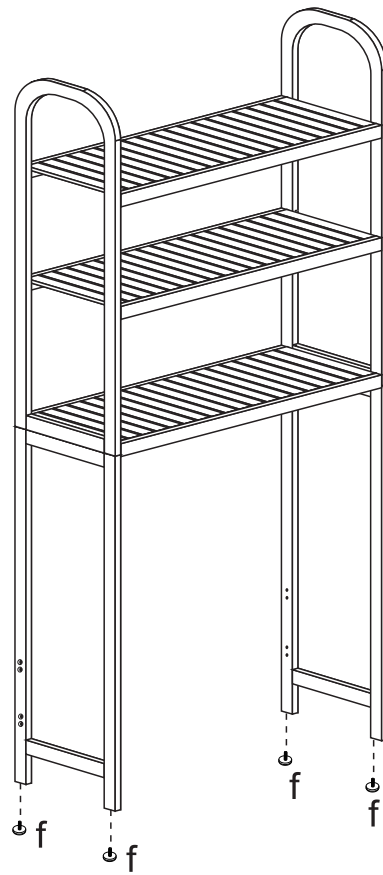
Step 3

Repeat process of step 2 for the other side.



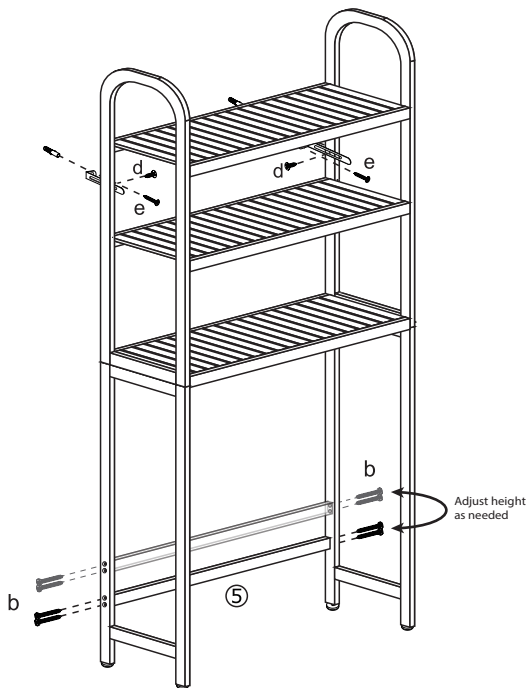
Step 4

Attach floor protectors (f) to the feet of the construction.

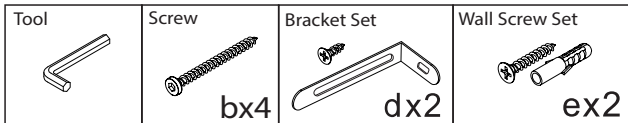


Step 5

Place construction over toilet and against the wall.
 Attach part 5 to the construction with screws (b).
 *Optional
 Attach bracket set (d) to the rear of the construction.
 Install wall screw set (e) through the bracket set (d) into the wall.
 Pre-drill hole into wall to fit wall screw set (d).

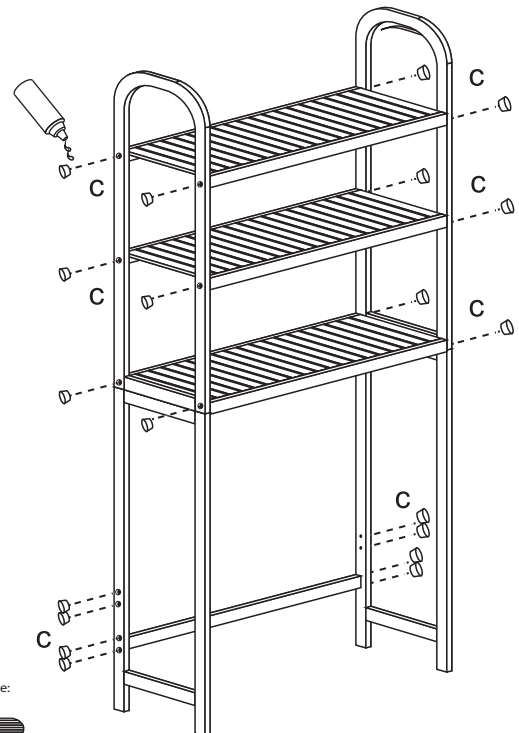


Drill not included.



Step 6

*Optional
 Add a drop of glue to the flat end of the wood caps (d).
 Insert wood caps (c) into screw holes.



How to open glue:

