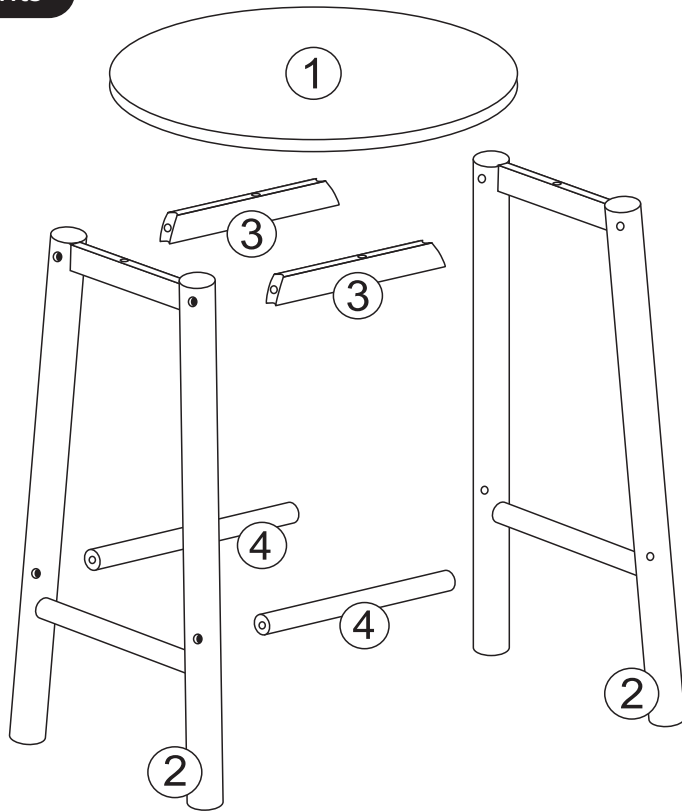


Assembly Instructions

10240-BH-WM

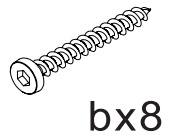
Components



Long Screw



Short Screw



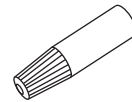
Floor Protector



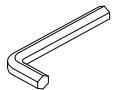
Wood Cap



Glue



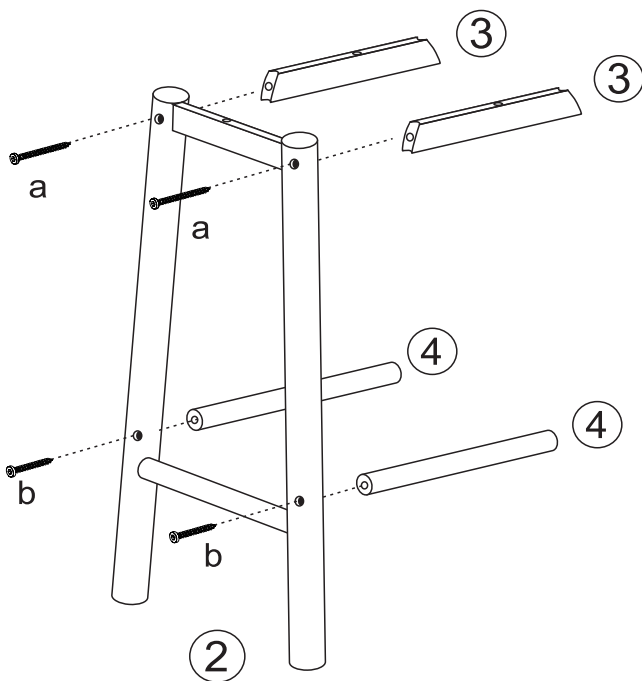
Tool



Max Weight: 275lbs (125kgs)

Step 1

Attach parts 3 to part 2 with long screws (a).
Attach parts 4 to part 2 with short screws (b).



Long Screw



Short Screw

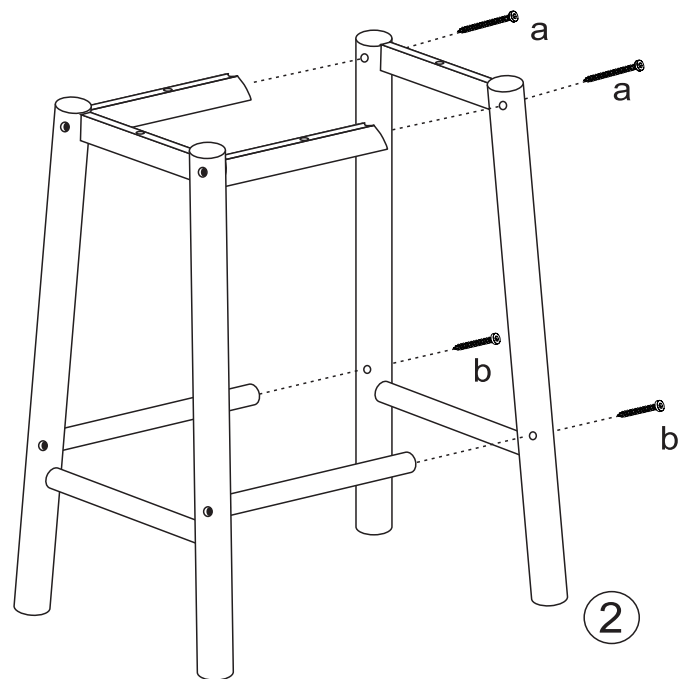


Tool



Step 2

Attach part 2 to parts 3 with long screws (a).
Attach part 2 to parts 4 with short screws (b).



Long Screw



Short Screw

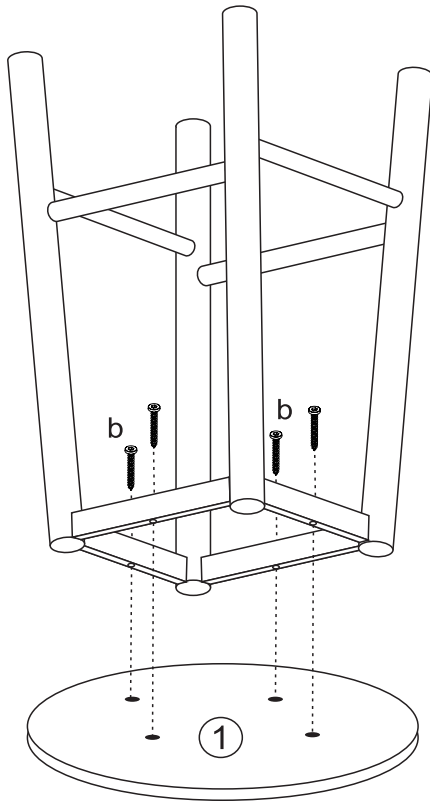


Tool



Step 3

Align holes in part 1 with the holes in the base of the stool and attach with short screws (b).



Short Screw



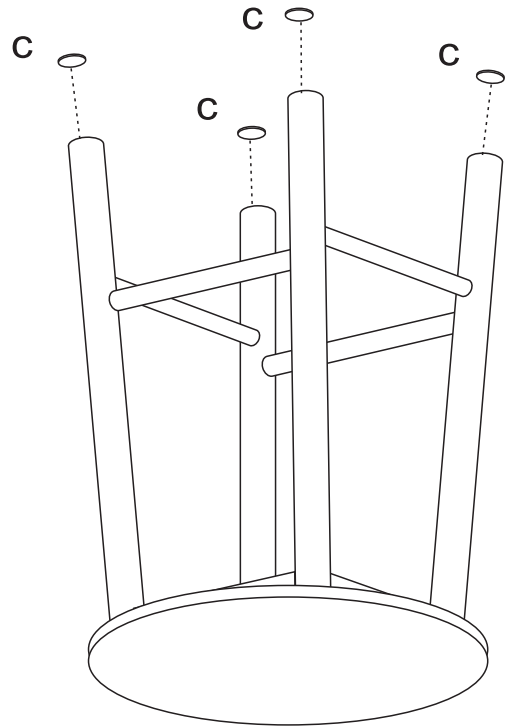
bx4

Tool



Step 4

Attach floor protectors (c) to the feet of the stool.



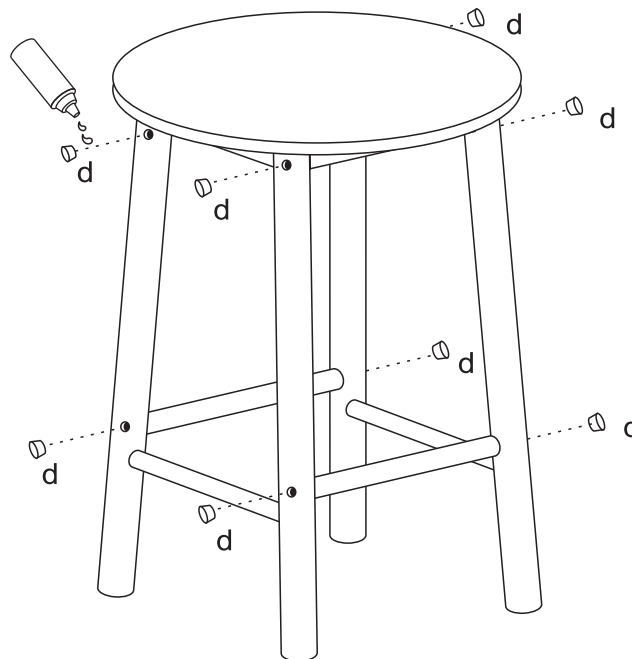
Floor Protector



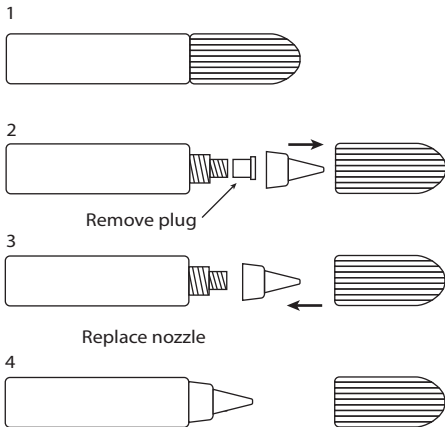
cx4

Step 5

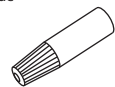
*Optional
Add a drop of glue to the flat end of the wood caps (d).
Insert wood caps (d) into screw holes.



How to open glue:



Glue



Wood Cap



dx8