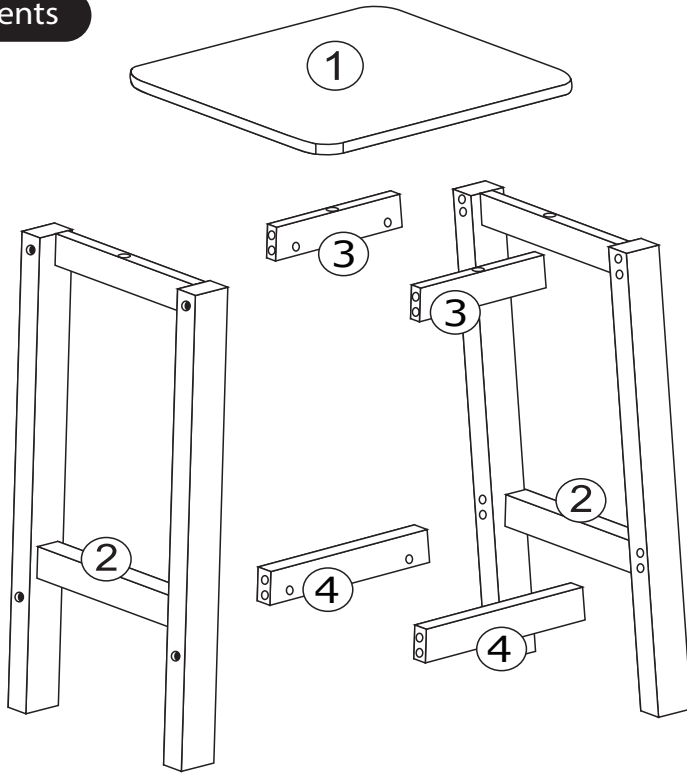


Assembly Instructions

10239-BH-WM

Components



Max Weight: 275lbs (125kgs)

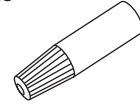
Bolt (half thread)



Nut Sleeve



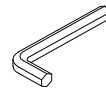
Glue



Bolt (full thread)



Tool



Wood Dowel



Wood Cap

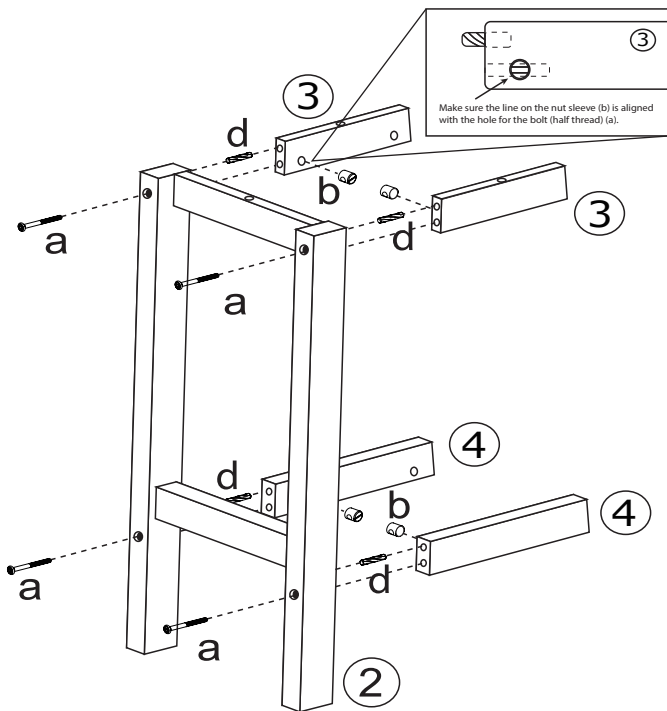


Floor Protector



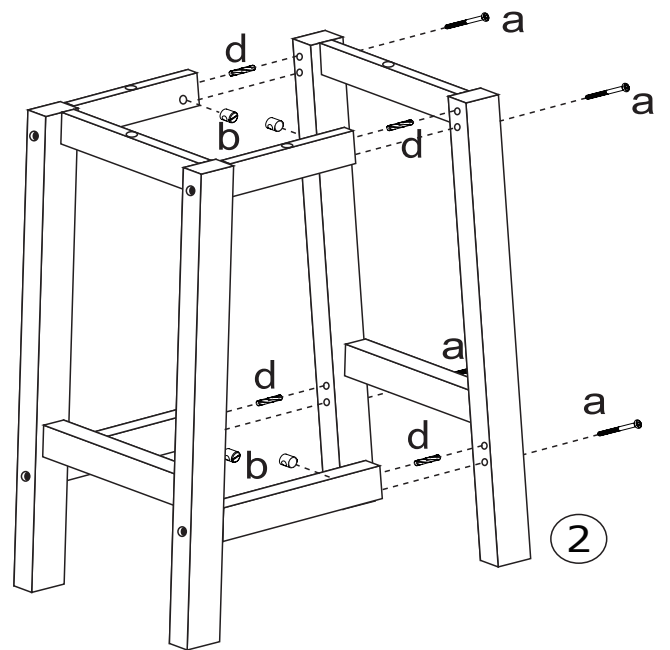
Step 1

Insert wood dowel in the top hole on the end of part 3 & 4. Make sure the two holes on the side of part 3 & 4 are facing inside the construction. Insert nut sleeve (b) into the hole on the side of part 3 & 4. Attach part 3 & 4 to part 2 with bolt (half thread)(a).



Step 2

Repeat process of step 1 for the other side.



Bolt (half thread)



Nut Sleeve



Wood Dowel



Tool



Bolt (half thread)



Nut Sleeve



Wood Dowel

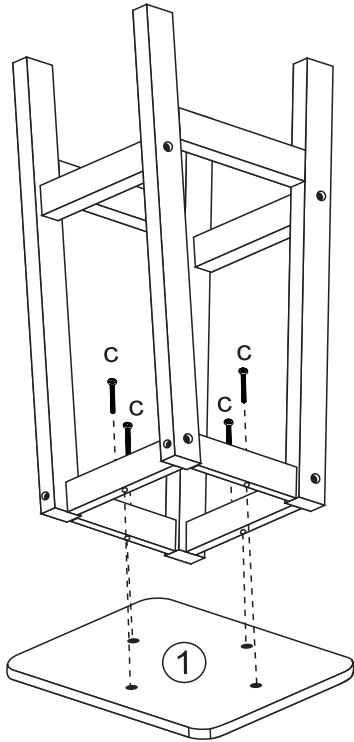


Tool



Step 3

Align holes in part 1 with the holes in the base of the stool and attach with Bolt (full thread) (c).



Bolt (full thread)



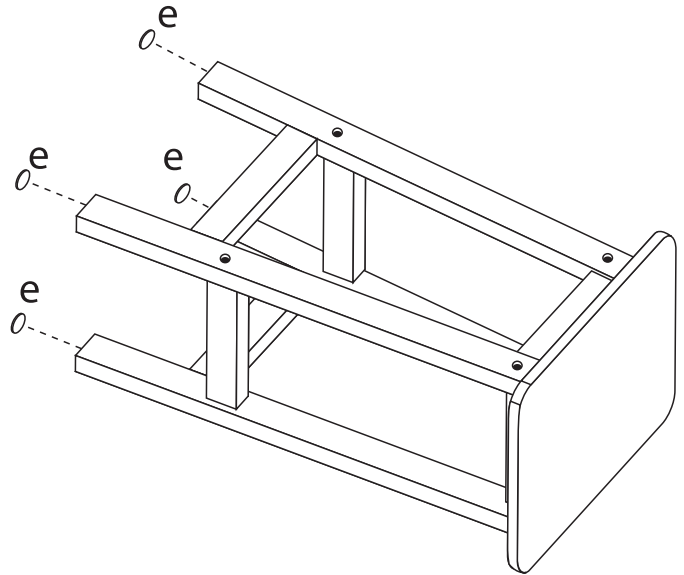
cx4

Tool



Step 4

Attach floor protectors (e) to the feet of the stool.



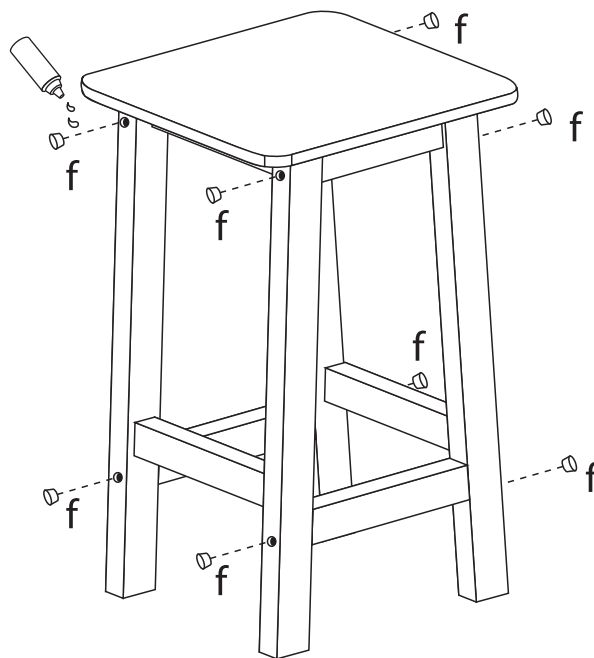
Floor Protector



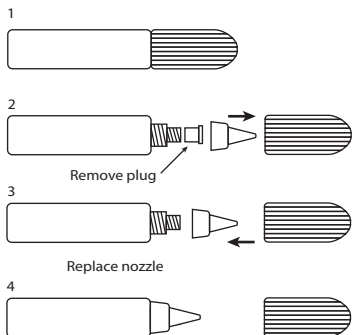
ex4

Step 5

*Optional
Add a drop of glue to the flat end of the wood caps (f).
Insert wood caps (f) into screw holes.



How to open glue:



Wood Cap



fx8

Glue

